



400W | 405W | 410W

## DNA-108-BF10-400W

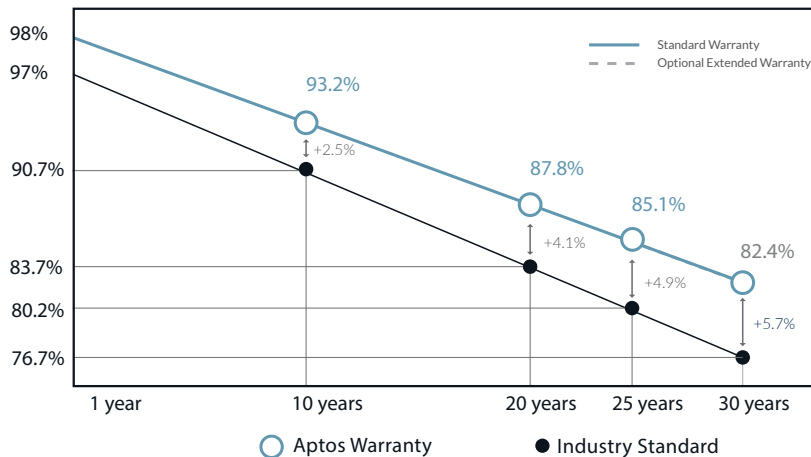
Residential | Commercial

Our DNA Split Cell Series uses advanced selective emitter PERC technology with thin film layers to improve heat tolerance, maximize energy harvest, minimize resistive loss, and use 5% more of the available active area for optimal power performance.



Designed & Engineered In Silicon Valley

### Linear Performance Warranty



## Key Features



### Advanced Technology

Patented DNA™ technology boosts power performance & module efficiency.



### Aesthetics

All black design with advanced split cell technology features 10 ultra-thin busbars that allow for less resistance and greater energy harvest.



### Miami-Dade Approved

Miami-Dade County wind load certified to withstand up to 5400 Pa.



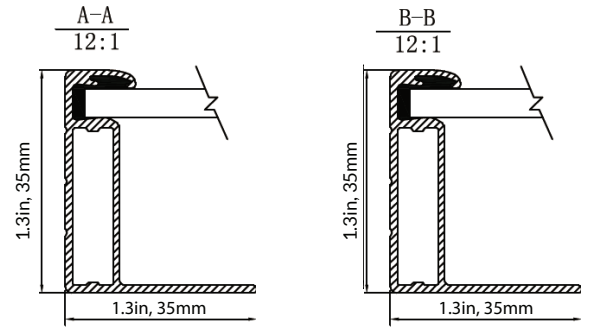
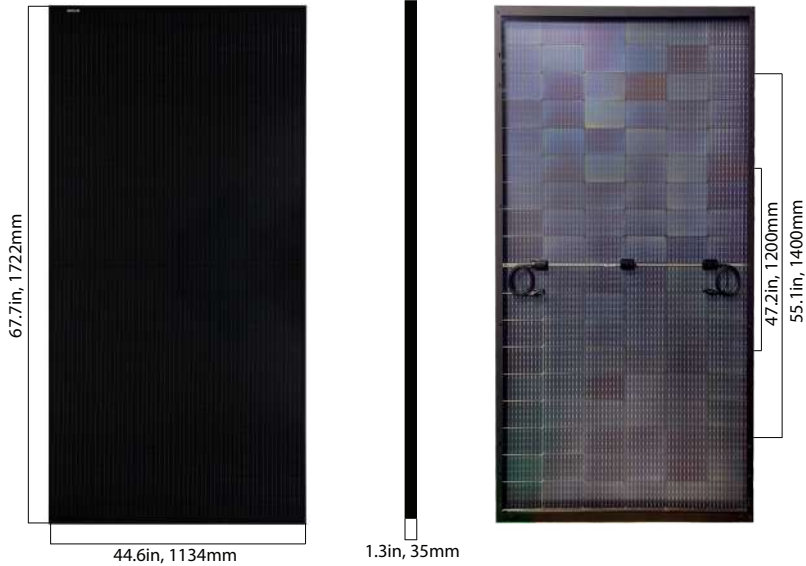
### Awards

Winners of the Leadership in Solar Energy award for three consecutive years and listed as one of the Top Solar Products from 2021-2022.



### Bankable Investment

Comprehensive warranty that covers both **30-year product** and **30-year power** performance.



## Electrical Specifications

	DNA-108-BF10-400W	DNA-108-BF10-405W	DNA-108-BF10-410W
STC Rated Output $P_{mpp}$ (W)	400W	405W	410W
Module Efficiency	20.48%	20.74%	20.96%
Open Circuit Voltage $V_{VOC}$ (V)	37.18	37.42	37.67
Short Circuit Current $I_{SC}$ (A)	12.99	13.05	13.11
Rated Voltage $V_{mp}$ (V)	31.28	31.52	31.76
Rated Voltage $I_{mp}$ (A)	12.79	12.85	12.91

Standard Test Conditions for front-face of panel: 1000 W/m<sup>2</sup>, 25°C, measurement uncertainty  $\leq 3\%$

## Mechanical Properties

Cell Type	Monocrystalline
Glass	3.2mm, anti-reflection coating, high transmission, low iron, tempered glass
Frame	Anodized Aluminum Alloy
Junction Box	IP68
Dimensions	67.7 X 44.6 X 1.3 in, 1722 X 1134 X 35 mm
Weight	48.5 lbs
Output Cable	4mm <sup>2</sup> (EU)12AWG,39.37in,(1200mm)
Cable Length	47.2in, 1200mm
Connector Type	Staubli EVO2

## Bifacial Output-Rearside Power Gain

5%-Maximum Power (Pmax)	420W	425W	431W
5%-Module Efficiency STC(%)	21.50%	21.80%	22.04%
15%-Maximum Power (Pmax)	460W	466W	472W
15%-Module Efficiency STC(%)	23.58%	23.89%	24.14%
25%-Maximum Power (Pmax)	500W	506W	513W
25%-Module Efficiency STC(%)	25.64%	25.94%	26.24%

## Test Operating Conditions

Maximum Series Fuse	30A
Maximum System Voltage	1,500 VDC (UL&IEC)
Maximum Load Capacity (Per UL 1703)	5400 PA Snow Load / 5400 Pa Wind Load
Fire Performance Class	Class C/Type 1

## Temperature

Temperature Coefficients $P_{mp}$	-0.39%/°C
Temperature Coefficients $I_{sc}$	+0.06%/°C
Temperature Coefficients $V_{oc}$	-0.30%/°C
Normal Operating Cell Temperature (NOCT)	45°C±2°C

## Packaging Configuration

Modules per Pallet	31
Pallets per 40ft. Container	26
Pallet Dimensions	68.97 X 44.48 X 49.76 in
Pallet Weight (lbs)	1503.5
Modules per 40ft. Container	806

## Certifications

