

## [What's in the Box](#)

### [Overview](#)

### [Recharging Your Expansion Battery](#)

### [Using the Expansion Battery](#)

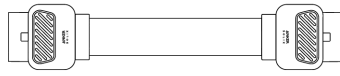
### [Specifications](#)

## Anker SOLIX BP3800 Expansion Battery USER GUIDE (A1790111-85)

### What's in the Box



Anker SOLIX BP3800  
Expansion Battery



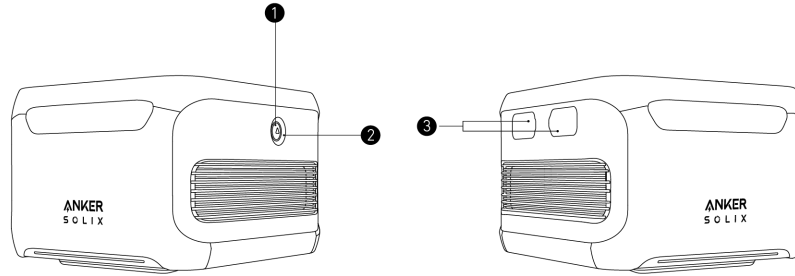
Battery-to-Host Cable



Important Information

\*The expansion battery can not be used by itself. It must be connected to the power station for charging and discharging.

### Overview



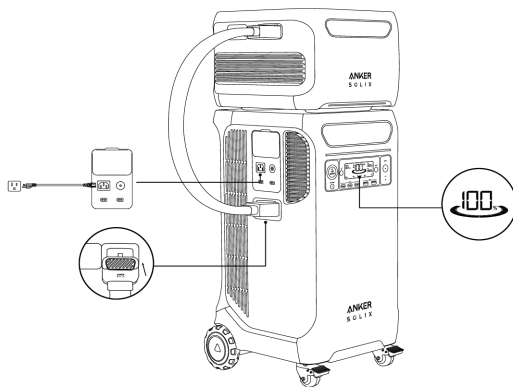
<b>1 On/Off Button</b> <ul style="list-style-type: none"><li>Press for 2 seconds to turn on/off the expansion battery.</li></ul>
<b>2 LED Light-Wheel</b> <ul style="list-style-type: none"><li>Flashes blue in sequence when recharging.</li><li>Indicates the remaining battery level with a 1-second press of the On/Off Button.</li></ul>
<b>3 Expansion Battery Ports</b> <ul style="list-style-type: none"><li>The two ports on the expansion battery have the same function, which can be used to connect to the power station or other expansion batteries.</li></ul>


### Recharging Your Expansion Battery

**⚠** Please turn off the power station before connecting the expansion battery.

- To activate for the first time, connect the expansion battery to the power station with the included battery-to-host cable.
- Recharge the power station via AC input or DC input.

\*The plug varies by region.

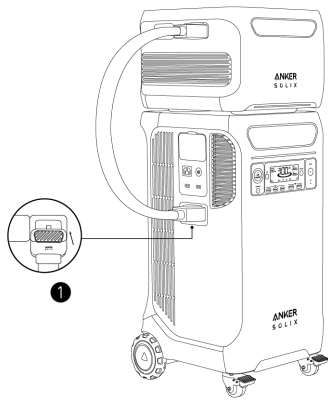


<b>💡</b> <ul style="list-style-type: none"><li>When the expansion battery is connected successfully, you will hear a beep and  will appear on the power station's screen.</li><li>The expansion battery will be charged after the power station is fully charged.</li></ul>
--

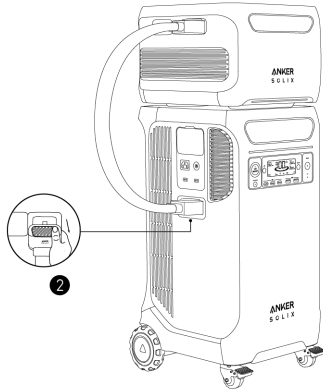
### Using the Expansion Battery

**⚠** Please turn off the power station before connecting the expansion battery.

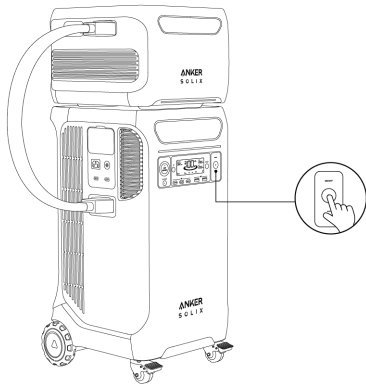
- To connect, ensure the Anker SOLIX logo on one end of the cable is facing up. Plug it directly into the power station and plug the other end into any port of the expansion battery.



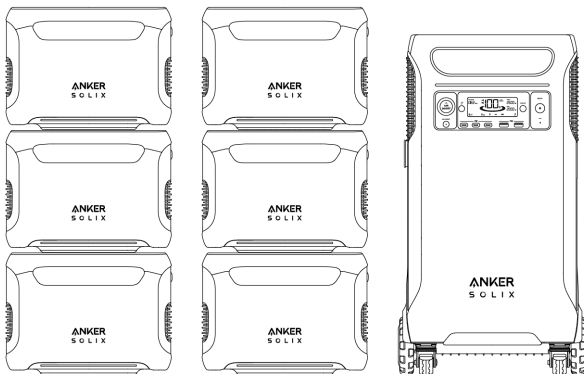
2. To disconnect, hold the black part of the cable and pull it out.



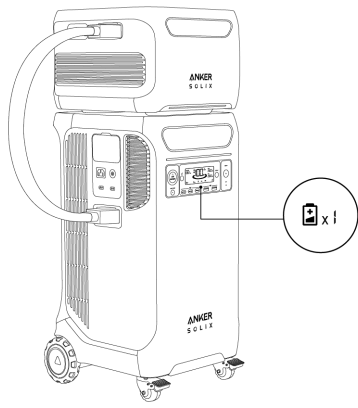
3. If you want to connect the power station and the expansion battery, first turn off the main power button of the power station.



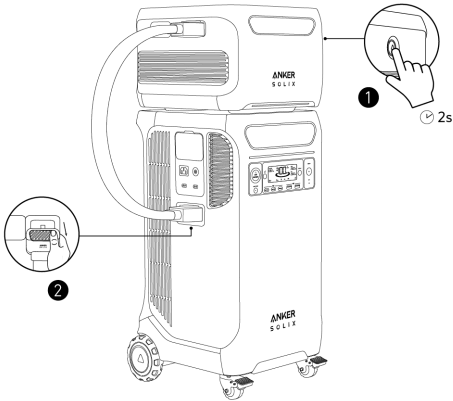
4. Use the included battery-to-host cable to connect the expansion battery to the power station, which can also be used for connections between expansion batteries. Up to six expansion batteries can be connected to the power station.



5. The expansion battery icon will appear on the power station's screen when it is successfully connected. The number after the "x" on the screen represents the number of connected expansion batteries. If no icon is displayed, you will have to reconnect both devices as there may be a poor connection.



6. If you need to disconnect or separate the expansion battery from the power station when they are in use, press the on/off button for 2 seconds to turn the battery off. To disconnect, hold the black part of the cable and pull it out directly.



7. To ensure the stability and health of each expansion battery, when the power station is connected to multiple expansion batteries, the power of the expansion batteries will automatically balance. This ensures that each battery level remains consistent. It is normal if there is a change in the power of the power station and expansion batteries.

### Specifications

Specifications are subject to change without notice.

Cell Capacity	51.2Vdc 75Ah / 3840Wh
Expansion Battery Port Input	75A Max
Expansion Battery Port Output	170A Max
Discharging Temperature	-4°F - 104°F / -20°C - 40°C
Charging Temperature	32°F - 104°F / 0°C - 40°C
Size	15.5×14.0×10.3 in / 39.3×35.5×26.2 cm
Net Weight	33 kg / 72 lb