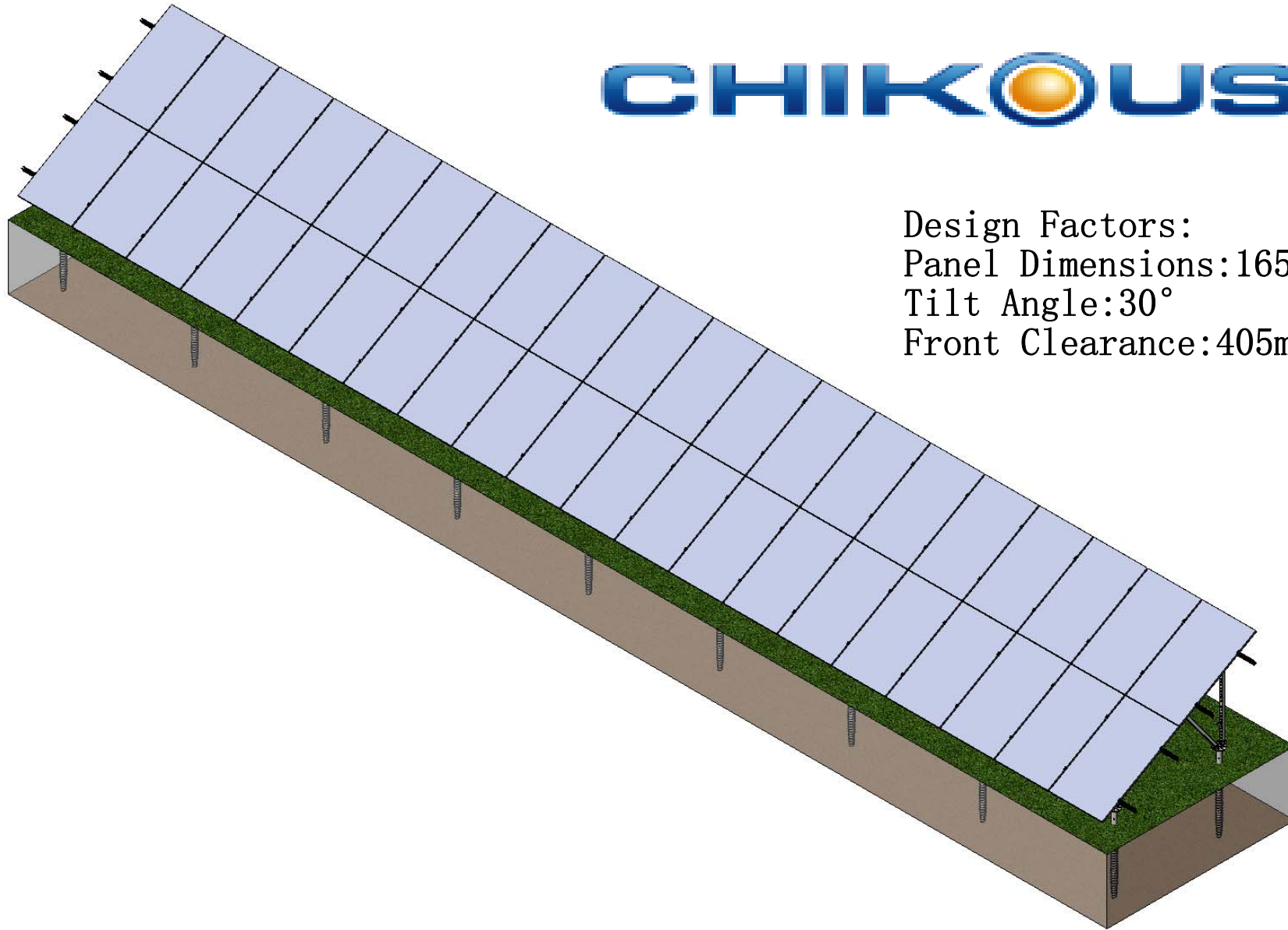


CHIKOUSA

Design Factors:
 Panel Dimensions: 1650*992*35
 Tilt Angle: 30°
 Front Clearance: 405mm



Mark	Modification	Modify by	Doc No.	Data

Des	Bowen	200903
Drw		
Check		
Craft		
App		



U2V

2*20-30° -405



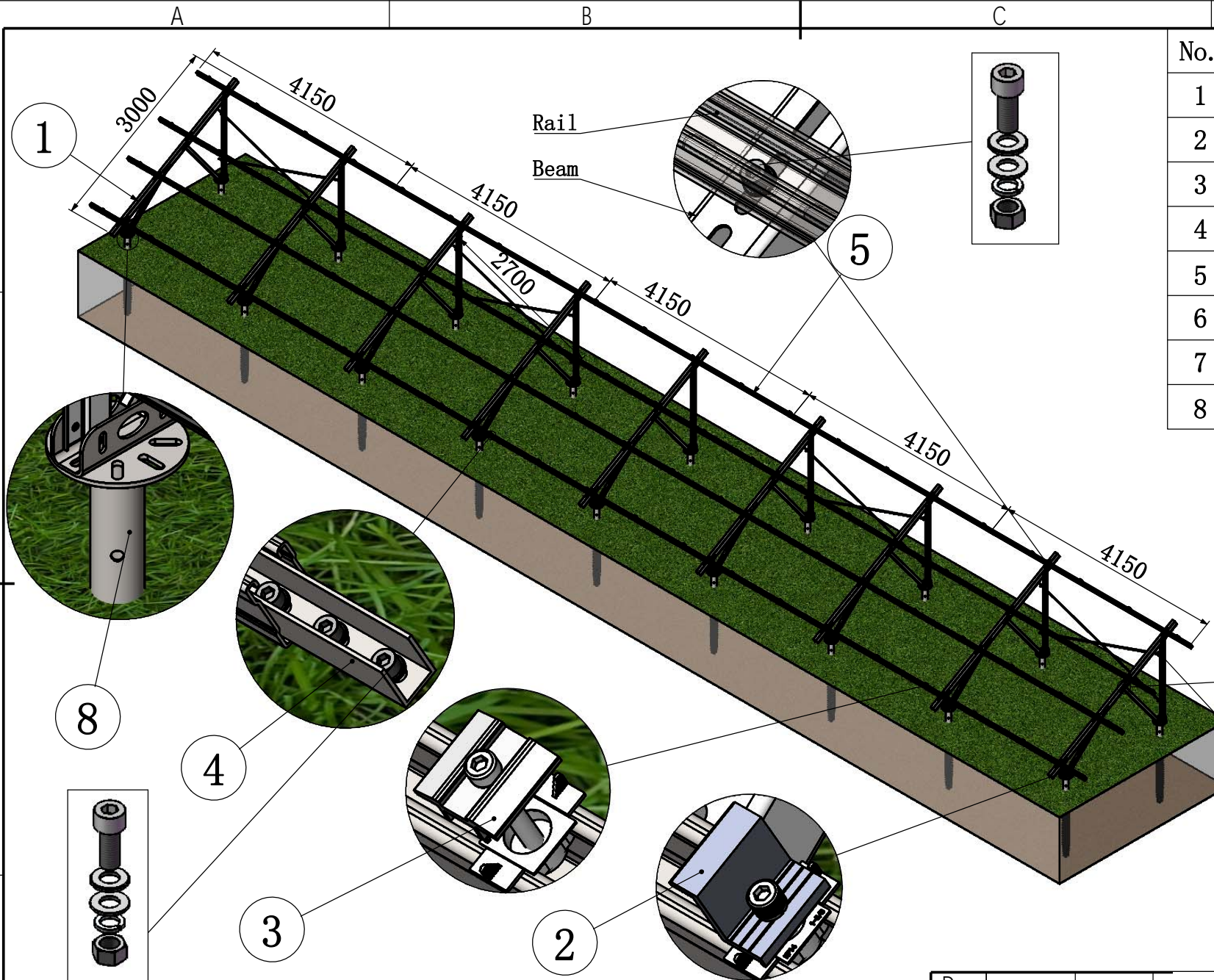
Rate Page /

A

B

C

D



No.	Description	QTY
1	Support Rack	9
2	End Clamp	8
3	Mid Clamp	76
4	Rail Splice Kit	16
5	Rail-4150	20
6	Strengthen Fix Kit	16
7	Strengthen Pipe-2700	8
8	Ground Screw	18



Mark	Modification	Modify by	Doc No.	Data

Des	Bowen	200903
Drw		
Check		
Craft		
App		

CHIKOUSA

U2V

2*20-30° -405

View:   Rate Page /

A

B

C

D

A

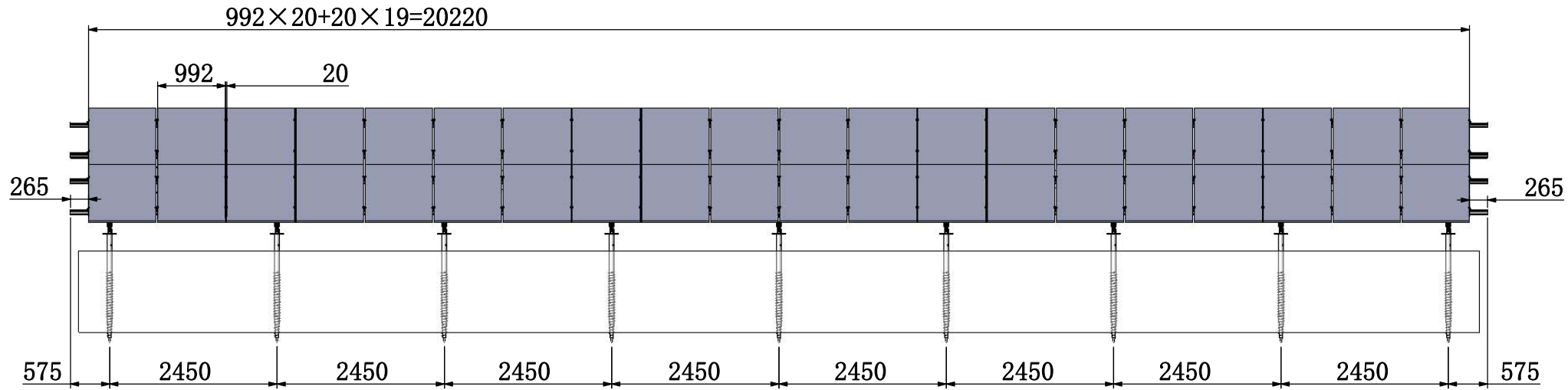
B

C

D

4

4

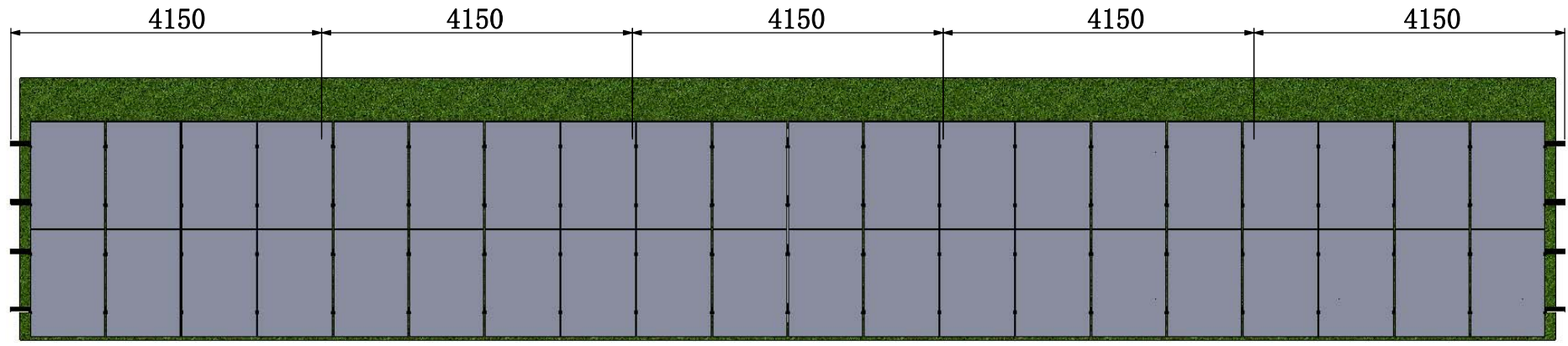


3

3

2

2



1

1

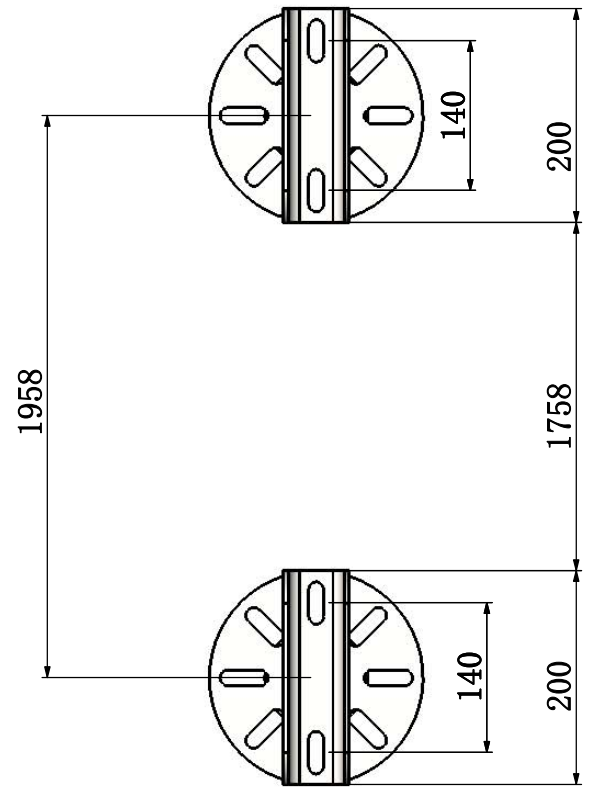
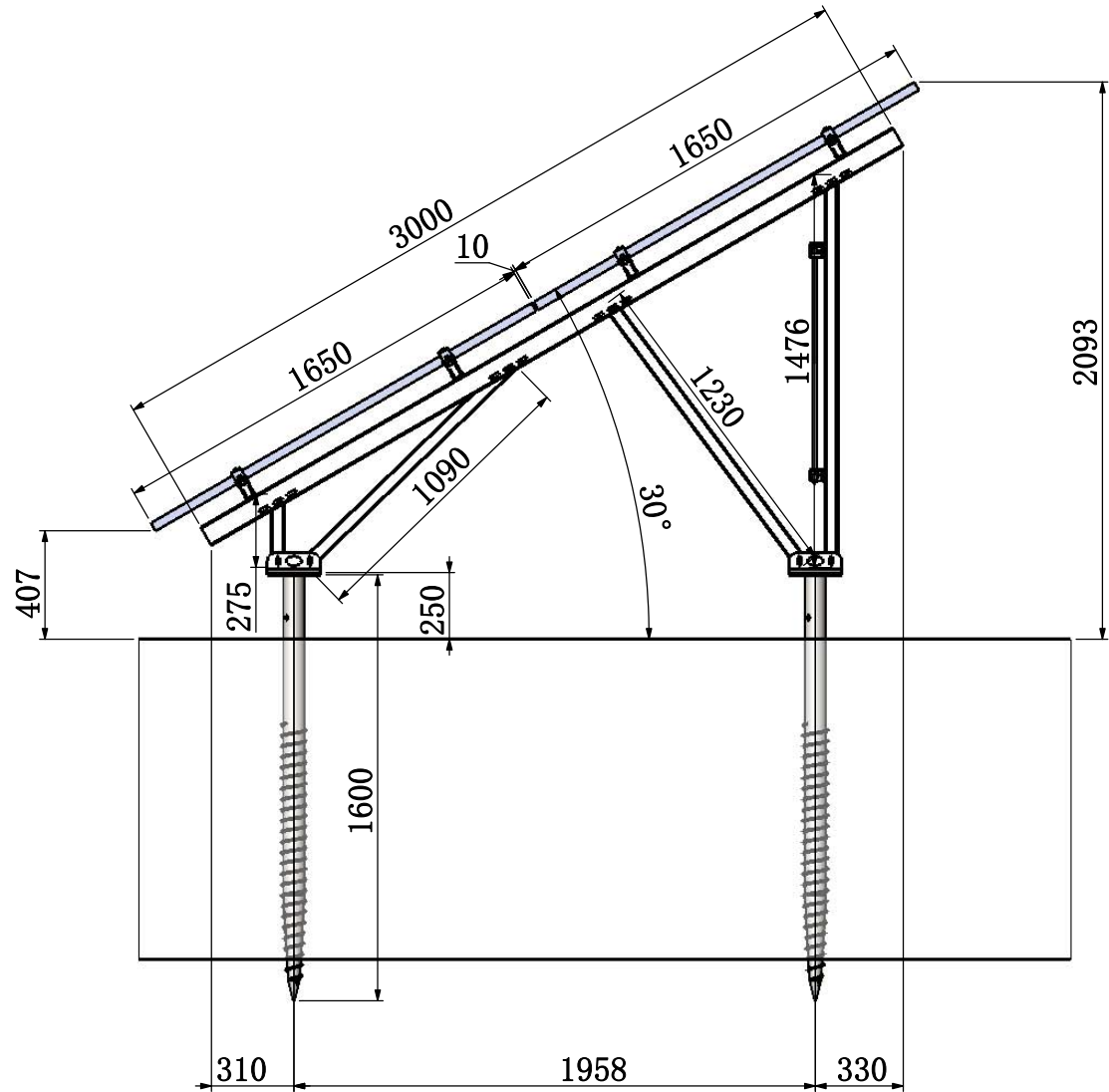
Mark	Modification	Modify by	Doc No.	Data	Des	Bowen	200903		
					Drw				
					Check			2*20-30° -405	
					Craft			View:	
					App			Rate	Page /

A

B

C

D

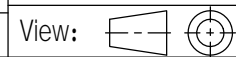


Mark	Modification	Modify by	Doc No.	Data

Des	Bowen	200903
Drw		
Check		
Craft		
App		

CHIKOUSA

U2V
2*20-30° -405



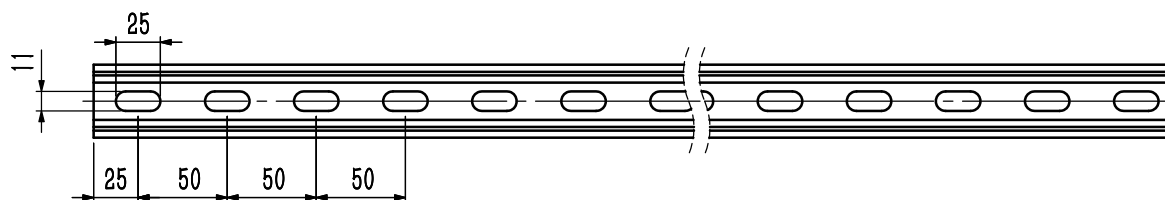
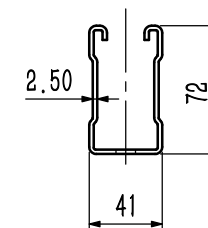
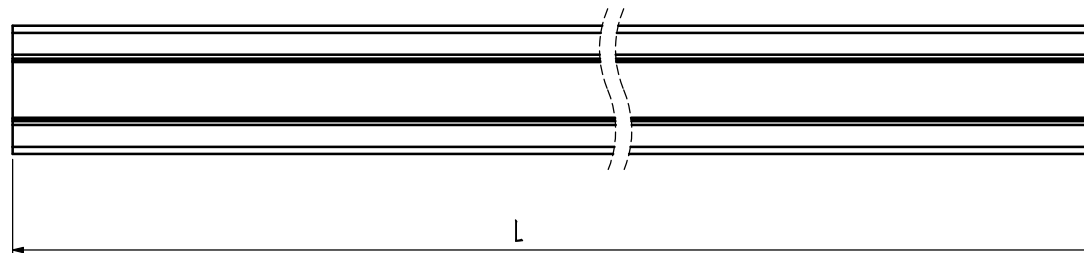
Rate Page /

A

B

C

D



L: mm			
4150			

Tech Requires:

1. Hot-dip Galvanizing, thickness average larger 65UM,

CK-UR72-T2.5-001-MM L



Mark 标记	Modification 更改处	Modify by 修改人	Doc NO. 文件号	Data 日期

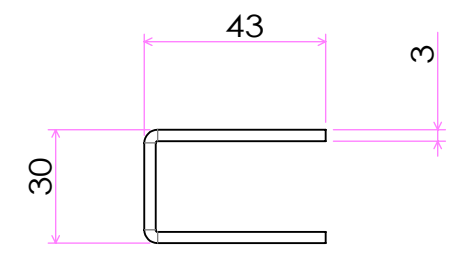
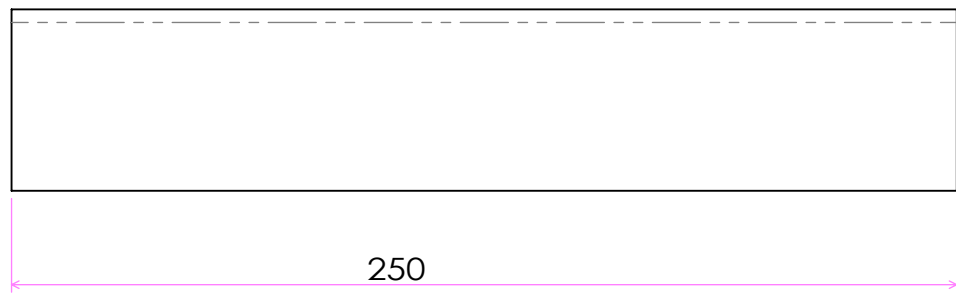
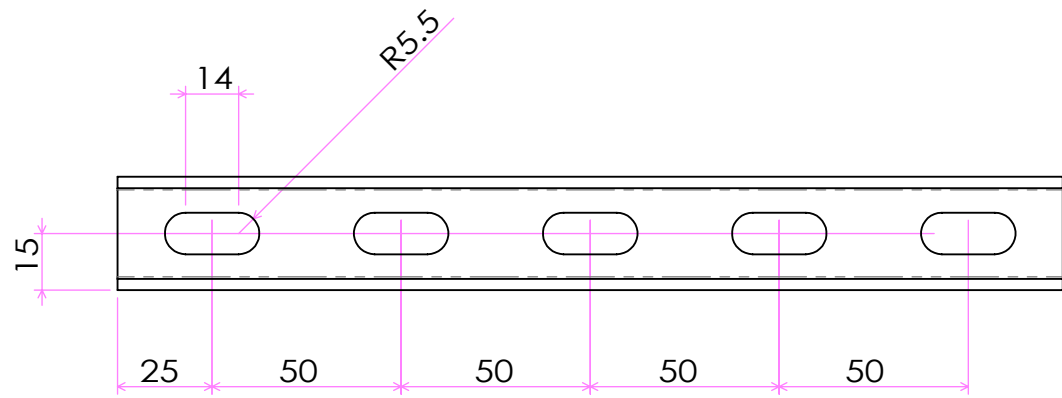
Des.设计		Mat.材质: Q235B	Name.名称: rail	
Drw.制图			Type.型号: CK-ET-U72T2.5-001-L	
Check.审核		View.视角:  	Scale.比例:	Page.页码:
Crsft.工艺				
App.批准				

A

B

C

D



CK-0221RU72-3-200

CHIKOUSA

材料 : Q235

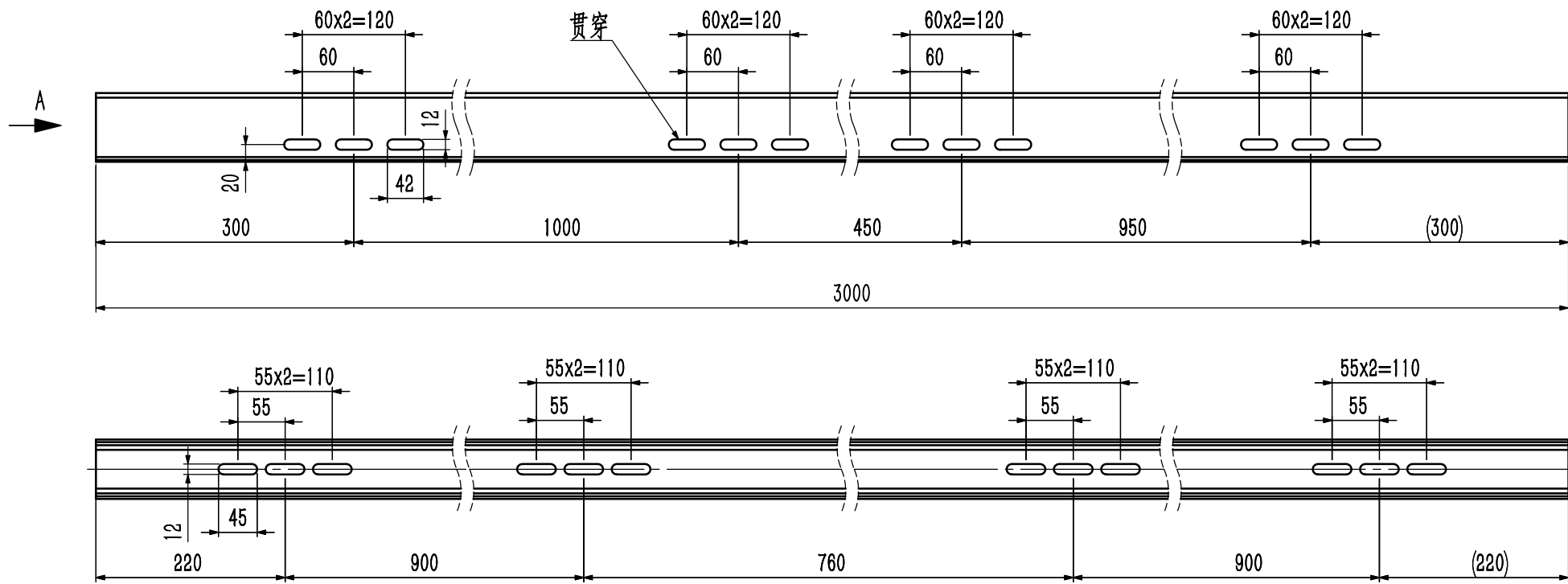
Rial SPLICE

图号 : CK-IT-060

视角: 比例 1:1 共 张 第 张

标记	更改处	修改人	文件号	日期

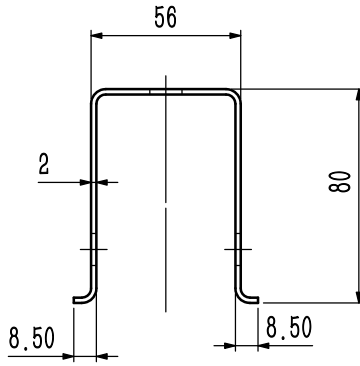
设计	
制图	
审核	
工艺	
批准	



贯穿

Tech Requires:

1. Hot-dip Galvanizing, thickness average larger 65UM,



视图 A
比例 1 : 2

CK-U2V-048(155-S138)

Mark 标记	Modification 更改处	Modify by 修改人	Doc NO. 文件号	Data 日期

Des 设计	Bowen
Drw 制图	
Check 审核	
Crsft 工艺	
App 批准	

CHIKOUSA

Mat. 材质: Q235B

Name 名称: Beam-3000

Type 型号: CK-ET-006-155-801

View 视角:

Scale 比例:

Page 页码:

A

B

C

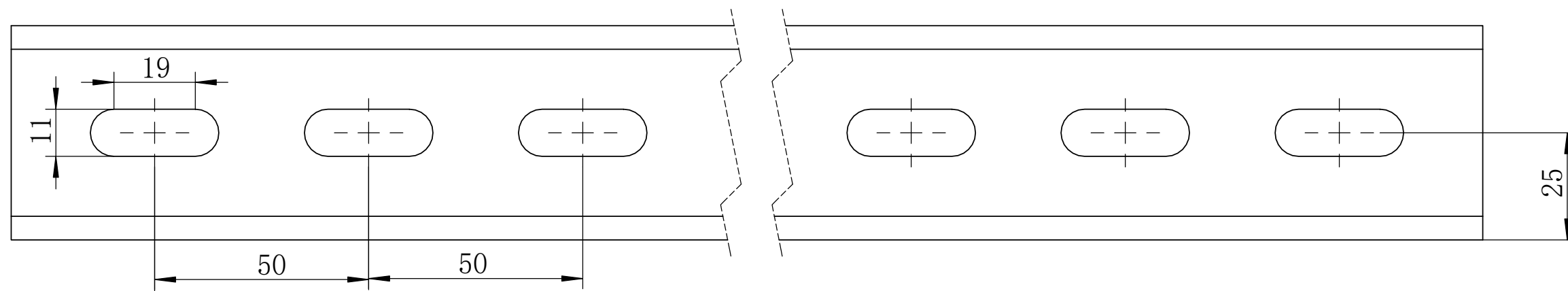
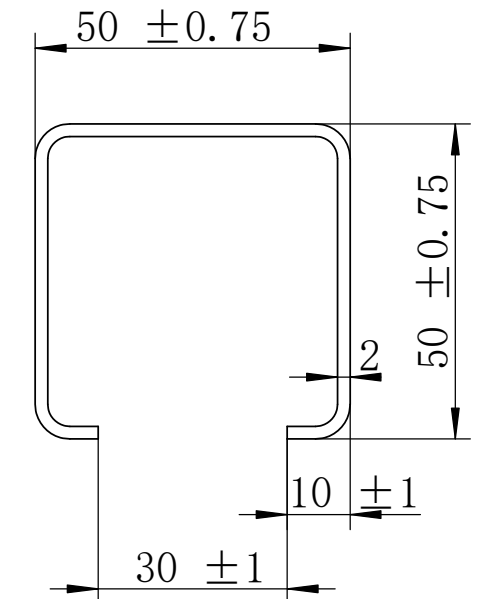
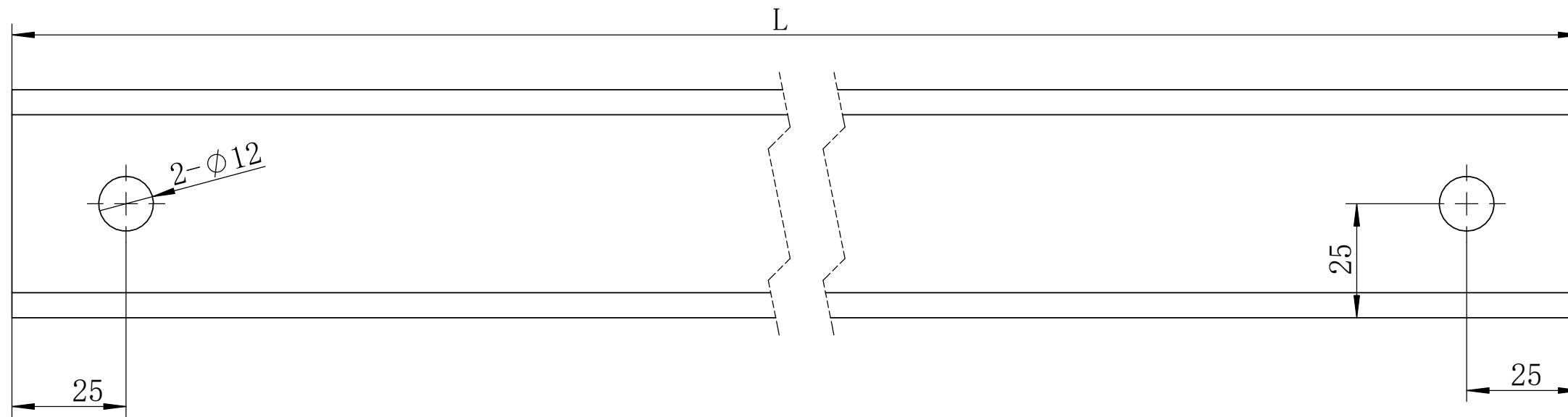
D

A

B

C

D



Tech Requires:
1. Hot-dip Galvanizing, thickness average larger 65UM,

L/mm	275	1090	1230	1476

标记	更改处	修改人	文件号	日期

设计		
日期		
审核		
工艺		
批准		

CHIKOUSA

材料: Q235B

视角:

图纸名称: Bracing

图号: CK-IT-047-801-L

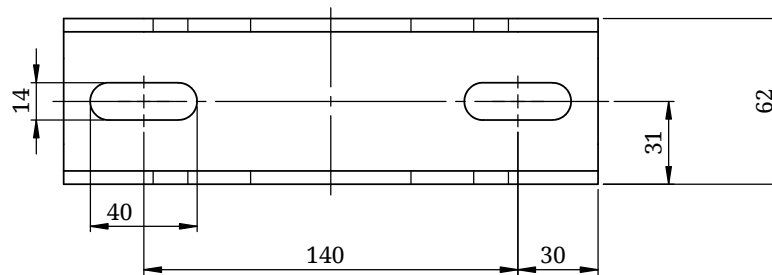
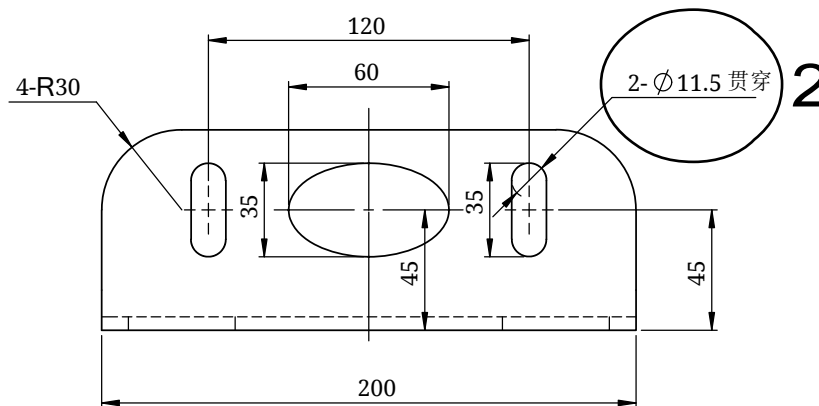
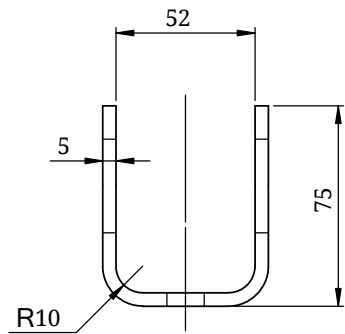
比例: 共 张 第 张

A

B

C

D



Tech Requires:

- 1. Hot-dip Galvanizing, thickness average larger 80UM,
- ..

CK-U2V-V-275/1090

CHIKOUSA

标记	更改处	修改人	文件号	日期
1	更改高度至75mm, 侧面圆孔改为长圆孔。	Jared	A	2017/03/13
2	原 ϕ 13*35腰孔更改为 ϕ 11.5*35腰孔	洪丽	B	2018/04/16

设计			
制图			
审核			
工艺			
批准			
材质	Q23 B	名称	Foot
重量/g	1227.321	图号	CK-IT-022
视角		比例	共 张 第 张

A

B

C

D

xhy

DESCRIPTION:

CHIKO INTEGRATED GROUNDING
UNIVERSAL MID CLAMP

PART NUMBER:

CK-777RU-K-
(30-40)-50

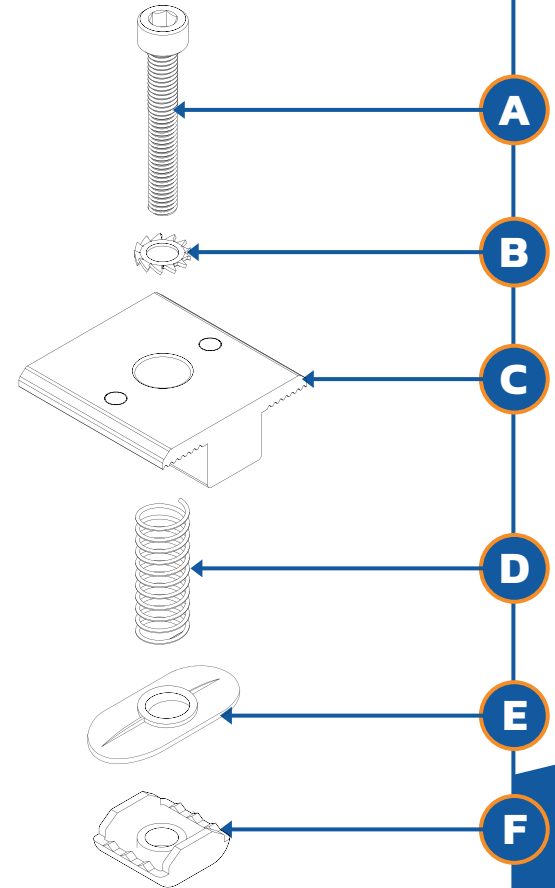
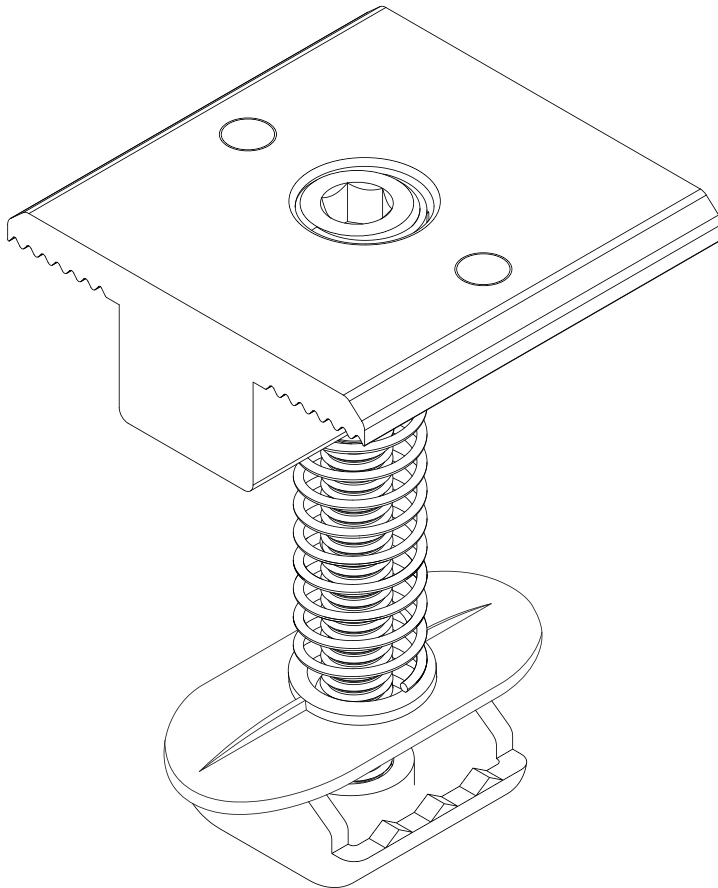
CHIKOUSA

101 E. Baseline Road, Buckeye AZ 85326

Phone: 1.800.948.5390

Email: info@chikousa.com

THE INFORMATION IN THIS DRAWING IS CONFIDENTIAL
AND PROPRIETARY, ANY REPRODUCTION,
DISCLOSURE, OR USE IS STRICTLY PROHIBITED.
FOR ANY USEAGE OR LIKENESS THEREOF WRITTEN
CONSENT FROM CHIKOUSA LLC IS REQUIRED.



MATERIALS : AL 6005-T5

DESIGN LOAD (LBS) : N/A

ULTIMATE LOAD (LBS) : N/A

TORQUE SPECIFICATION : 13.27 – 14.74 (LBS/FT)

CERTIFICATION : CONFORMS TO UL 2703

OPTIONS: : CLEAR OR BLACK ANNODIZED

ITEM	QTY	DESCRIPTION
A	1	M8 X 32-50MM SS BOLT
B	1	M8 STAR WASHER
C	1	ANNODIZED BONDING MID CLAMP
D	1	SUPPORT SPRING
E	1	SPRING SUPPORT GUIDE
F	1	BONDING RIVET NUT

DESCRIPTION:

CHIKO INTEGRATED GROUNDING
UNIVERSAL END CLAMP

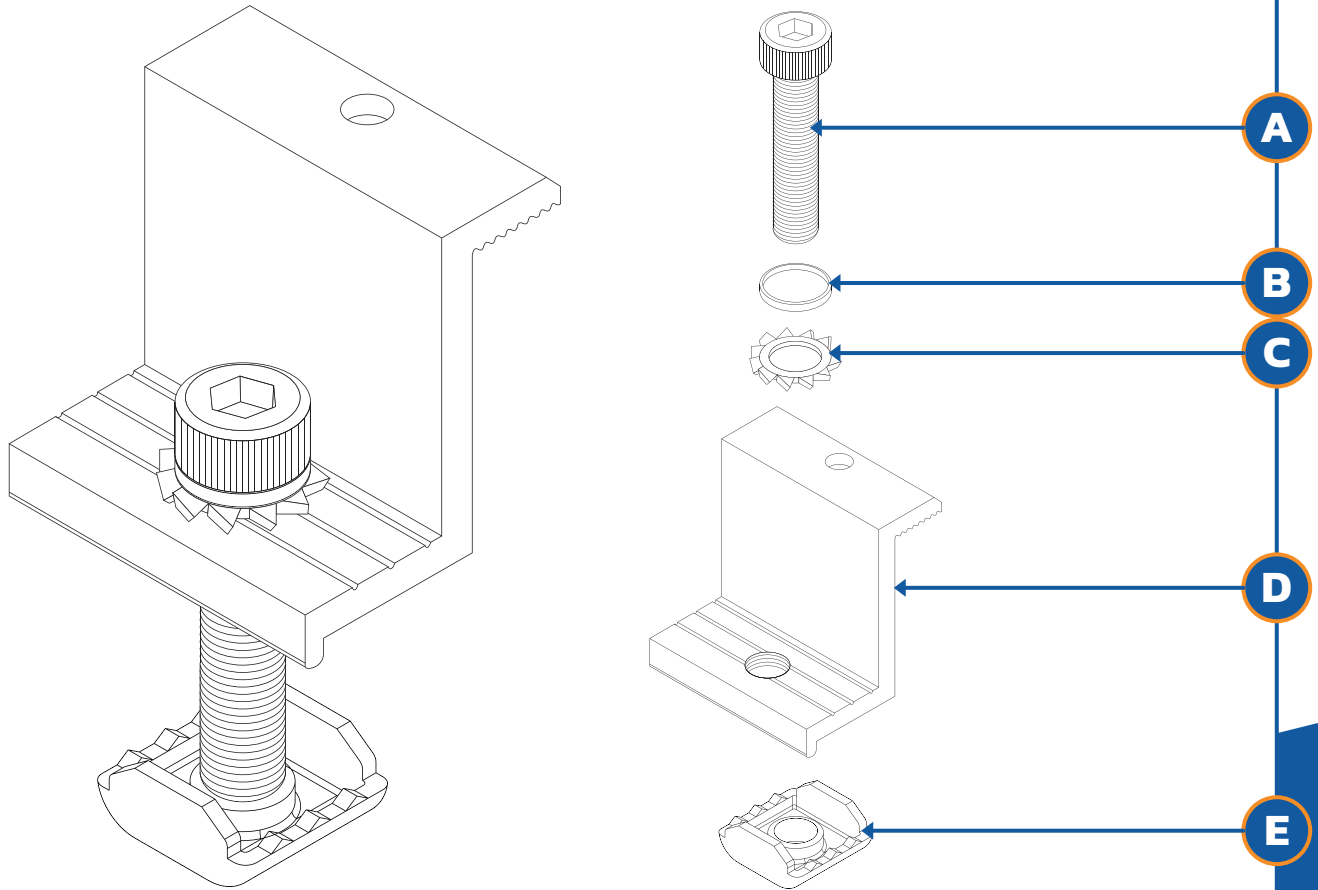
PART NUMBER:

CK-749RU-K-
(30-42)-40

CHIKOUSA

101 E. Baseline Road, Buckeye AZ 85326
Phone: 1.800.948.5390
Email: info@chikousa.com

THE INFORMATION IN THIS DRAWING IS CONFIDENTIAL
AND PROPRIETARY, ANY REPRODUCTION,
DISCLOSURE, OR USE IS STRICTLY PROHIBITED.
FOR ANY USEAGE OR LIKENESS THEREOF WRITTEN
CONSENT FROM CHIKOUSA LLC IS REQUIRED.



MATERIALS : AL 6005-T5

DESIGN LOAD (LBS) : N/A

ULTIMATE LOAD (LBS) : N/A

TORQUE SPECIFICATION : 13.27-14.75 (LBS/FT)

CERTIFICATION : CONFORMS TO UL 2703

OPTIONS: : CLEAR OR BLACK ANNODIZED

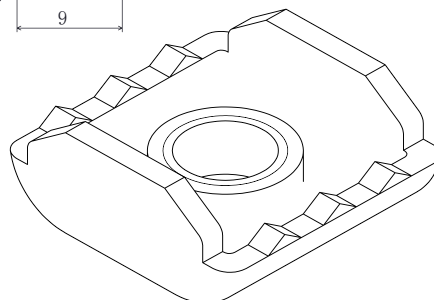
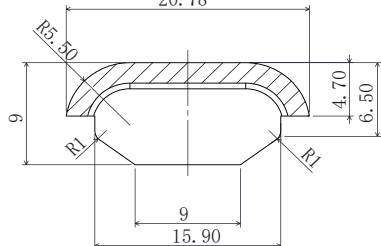
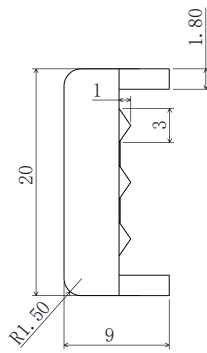
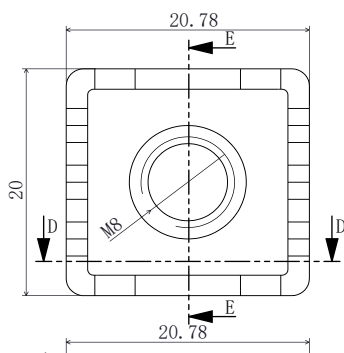
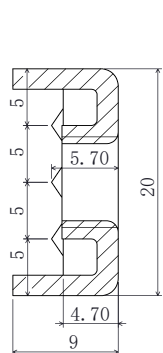
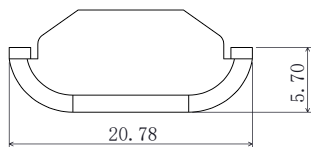
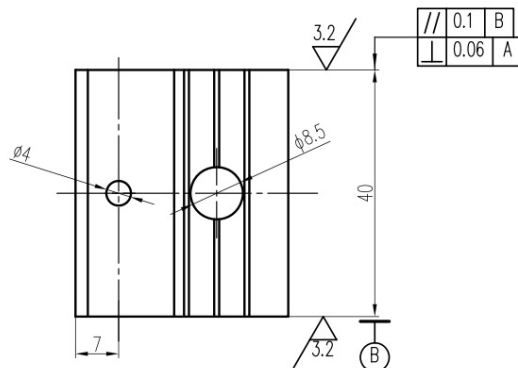
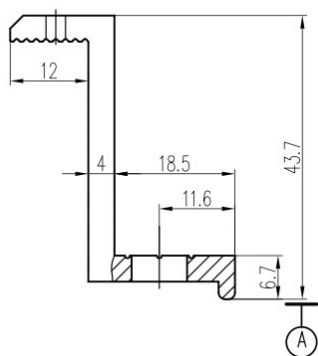
ITEM	QTY	DESCRIPTION
A	1	M8 32-50MM SS BOLT
B	1	LOCK WASHER
C	1	SPLIT WASHER
D	1	ANNODIZED BONDING END CLAMP
E	1	BONDING RIVET NUT

DESCRIPTION:

CHIKO INTEGRATED GROUNDING
 UNIVERSAL END CLAMP

PART NUMBER:

CK-749RU-K-
 (30-42)-40



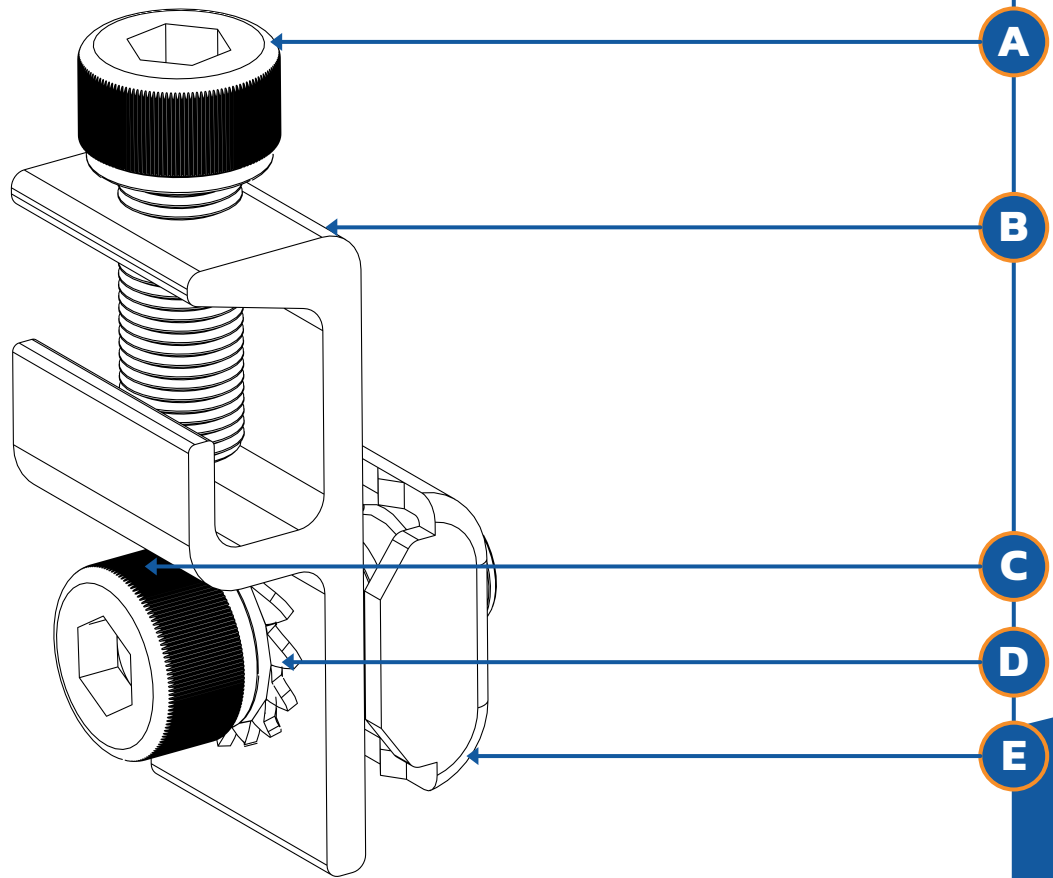
ALL DESIGNS IN MM

DESCRIPTION:

GROUNDING LUG WEEB LUG 8.0

PART NUMBER:

CK-GTC-R3



MATERIALS	: AL 6005-T5
DESIGN LOAD (LBS)	: N/A
ULTIMATE LOAD (LBS)	: N/A
TORQUE SPECIFICATION	: 9.85-10.37 (LBS/FT)
CERTIFICATION	: CONFORMS TO UL 2703
OPTIONS:	: CLEAR OR BLACK ANNODIZED

ITEM	QTY	DESCRIPTION
A	1	INNER HEX BOLT M8*25 SS304
B	1	GROUNDING LUG-WEEB LUG 8.0
C	1	OUTER HEX BOLT M8*20 SS304
D	1	STAR WASHER
E	1	GROUNDING CHANNEL NUT

DESCRIPTION:

GROUNDING LUG WEEB LUG 8.0

PART NUMBER:

CK-GTC-R3

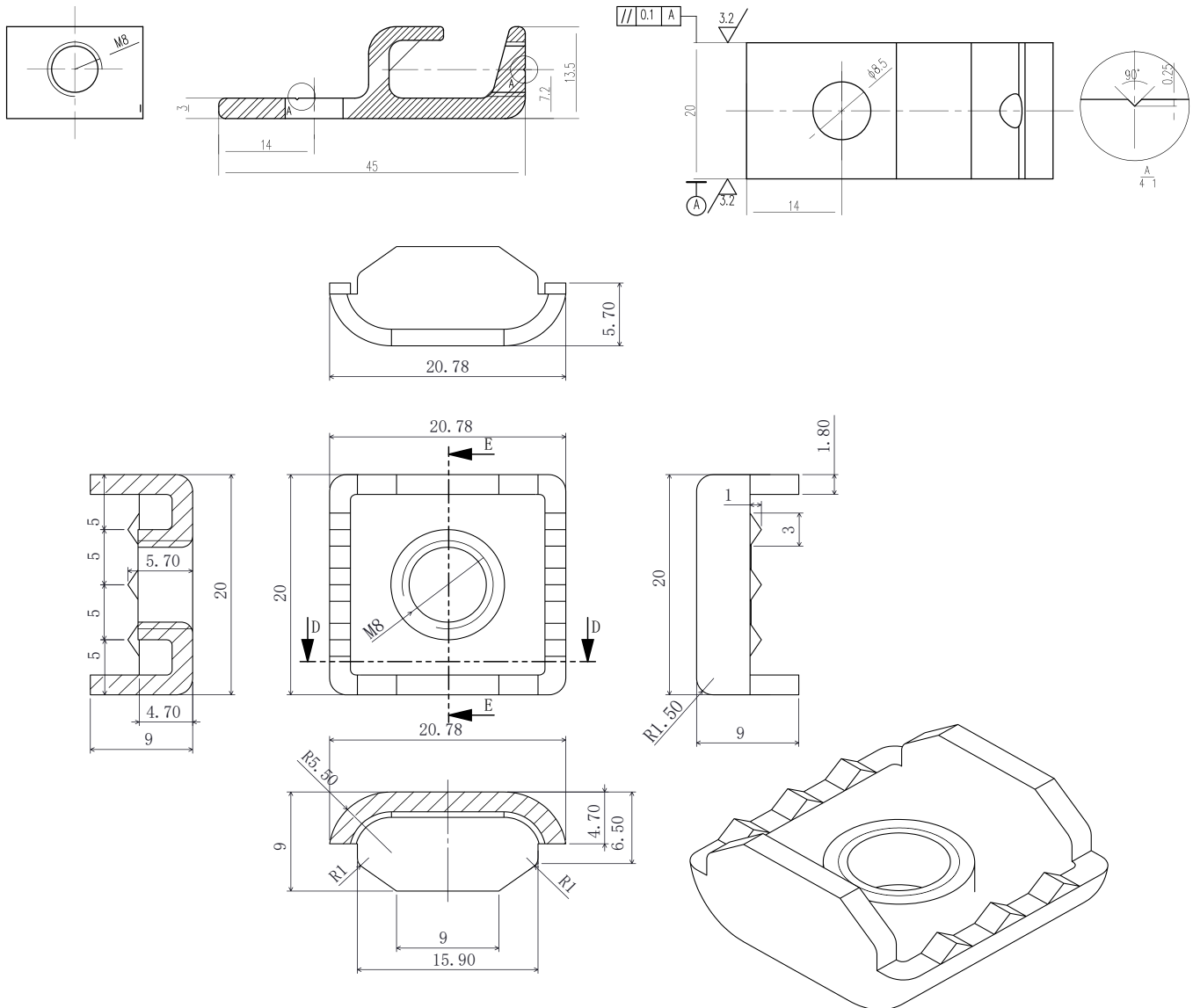
CHIKOUSA

101 E. Baseline Road, Buckeye AZ 85326

Phone: 1.800.948.5390

Email: info@chikousa.com

THE INFORMATION IN THIS DRAWING IS CONFIDENTIAL AND PROPRIETARY, ANY REPRODUCTION, DISCLOSURE, OR USE IS STRICTLY PROHIBITED. FOR ANY USEAGE OR LIKENESS THEREOF WRITTEN CONSENT FROM CHIKOUSA LLC IS REQUIRED.



ALL DESIGNS IN MM

DESCRIPTION:

CHIKO MODULE LEVEL POWER
ELECTRONICS (MLPE) ATTACHMENT BOLT

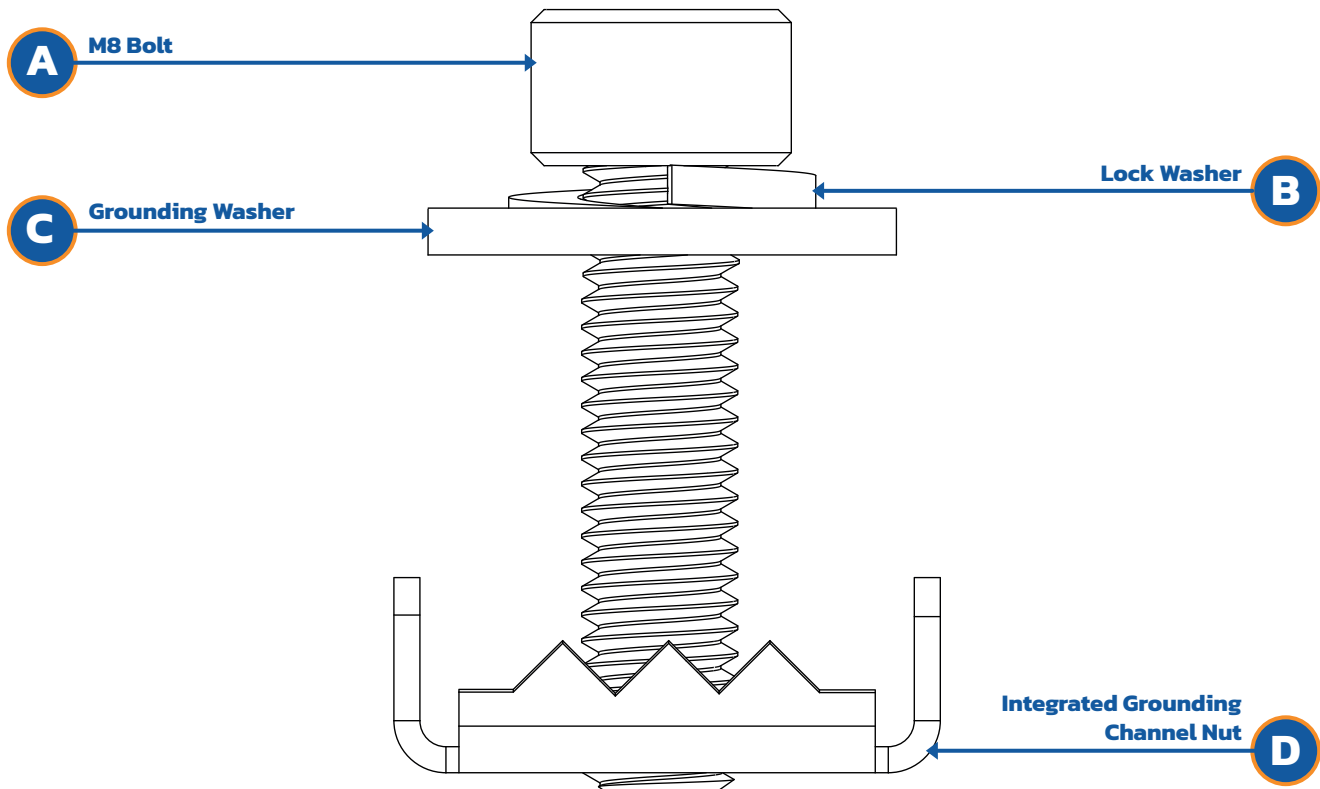
PART NUMBER:

CK-592RU-1-20

CHIKOUSA

101 E. Baseline Road, Buckeye AZ 85326
Phone: 1.800.948.5390
Email: info@chikousa.com

THE INFORMATION IN THIS DRAWING IS CONFIDENTIAL
AND PROPRIETARY, ANY REPRODUCTION,
DISCLOSURE, OR USE IS STRICTLY PROHIBITED.
FOR ANY USEAGE OR LIKENESS THEREOF WRITTEN
CONSENT FROM CHIKOUSA LLC IS REQUIRED.



MATERIALS : AL 6005-T5

DESIGN LOAD (LBS) : N/A

ULTIMATE LOAD (LBS) : N/A

TORQUE SPECIFICATION : 6.64 -7.27 (LBS/FT)

CERTIFICATION : CONFORMS TO UL 2703

OPTIONS: : CLEAR OR BLACK ANNOIDIZED

ITEM	QTY	DESCRIPTION
A	1	M8 BOLT
B	1	LOCK WASHER
C	1	GROUNDING WASHER
D	1	INTEGRATED GROUNDING CHANNEL NUT

DESCRIPTION:

CHIKO MODULE LEVEL POWER
ELECTRONICS (MLPE) ATTACHMENT BOLT

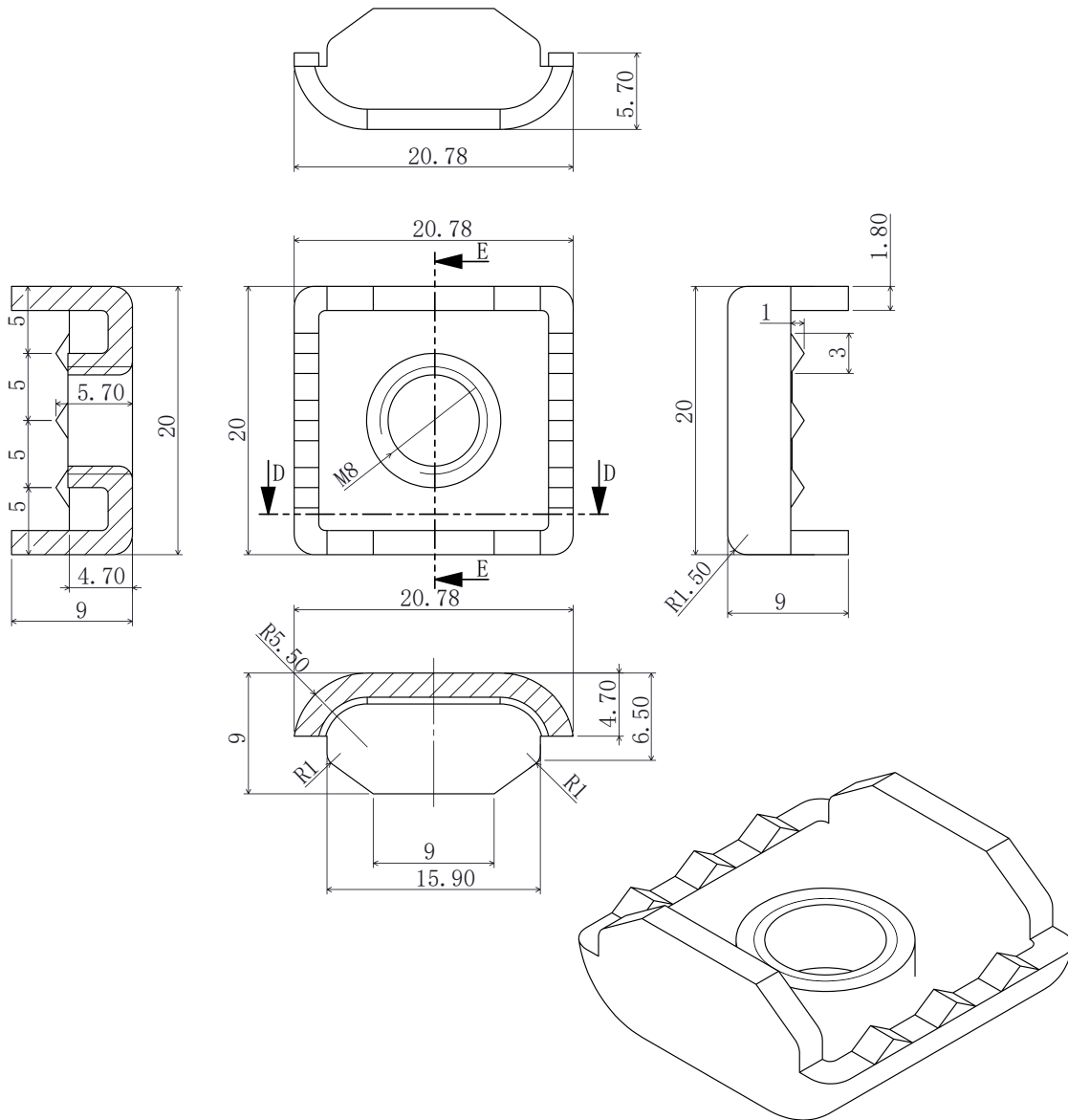
PART NUMBER:

CK-592RU-1-20

CHIKOUSA

101 E. Baseline Road, Buckeye AZ 85326
Phone: 1.800.948.5390
Email: info@chikousa.com

THE INFORMATION IN THIS DRAWING IS CONFIDENTIAL
AND PROPRIETARY, ANY REPRODUCTION,
DISCLOSURE, OR USE IS STRICTLY PROHIBITED.
FOR ANY USEAGE OR LIKENESS THEREOF WRITTEN
CONSENT FROM CHIKOUSA LLC IS REQUIRED.

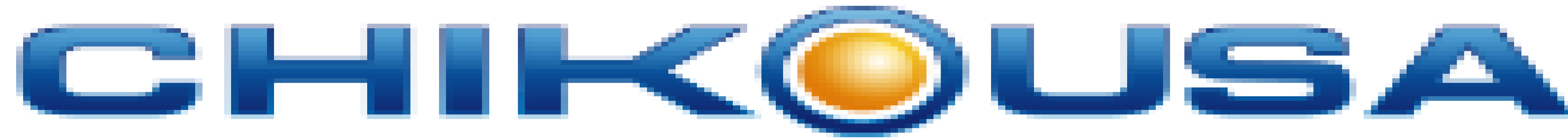


ALL DESIGNS IN MM

管径 A	壁厚 B	叶片厚度 D	长度 L
60	3.0	2.0	800
68	3.25	3.0	1000
76	3.5		1200
89	3.75		1400
	4.0		1500
			1600
			1800
			2000
			2200
			2500
			2800

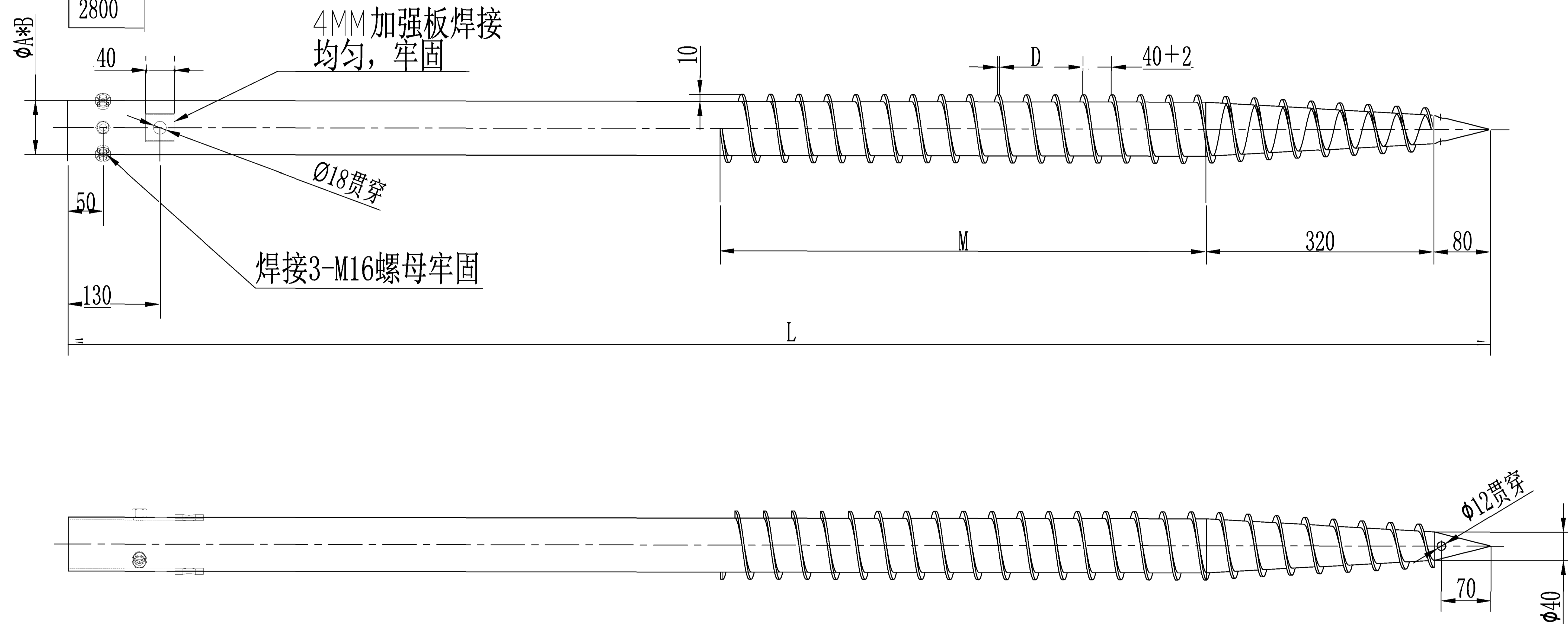
此表各类数据可任意搭配

长度 L	L=800	L=1000	L=1200	L=1400	L=1600	L=1800	L=2000	L=2200	L=2500	L=2800
螺纹圈数	12	12	12	14	20	20	20	24	24	24
螺纹长度 M	M-160	M-160	M-160	M-240	M-180	M-180	M-480	M=640	M=640	M=640



Adjustable Ground Screw Drawing-Bottom Portion

CK-CST-N16-3.0T2 (H螺-500-1600)



技术要求

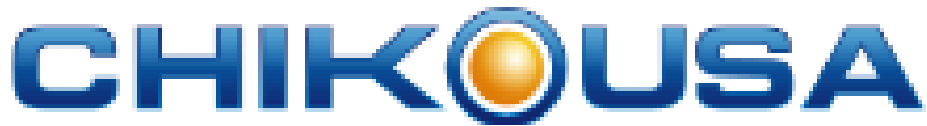
- 图中未注明长度按照公差等级GB/T1804-2000c级, 孔位偏差为±1mm, 孔径偏差为±0.5mm;
- 螺旋片无明显变形。焊接虚焊, 漏焊去除焊渣与毛刺;
- 表面热镀锌, 镀锌层平均厚度大于80微米, 铝粉表面光亮;
- 钢管、法兰盘材料为Q235B, 螺旋片材料为Q195;

未注尺寸公差

尺寸	公差	尺寸	公差	尺寸	公差
0.5~3	±0.10	30~120	±0.30	1000~2000	±1.20
3~6	±0.10	120~400	±0.50	2000~4000	±2.00
6~30	±0.20	400~1000	±0.80		

标记	更改处	修改人	文件号	日期

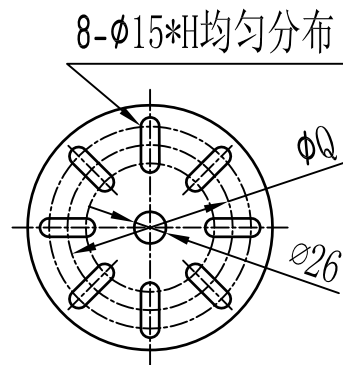
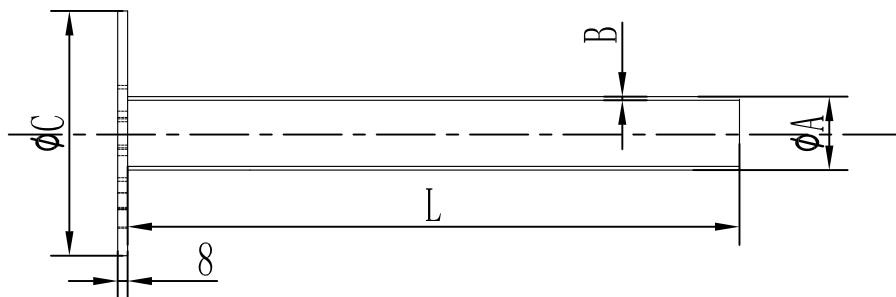
设计		上海晨科太阳能科技有限公司			
制图					
审核					
工艺					
批准					
		图纸名称: 不带法兰钻地螺栓			
		图号: CK-HT-004-2			
		视角:		比例	1:1
				共	张
				第	张



Adjustable Ground Screw Drawing-TOP FLANGE

CK-GST-N16-3.0T2 (H)-500-1600

管径 A	壁厚 B	法兰盘直径 C	长度 L
60	3.0	160	500
	3.5	200	800
		220	300



法兰盘直径 C	160	200	220
孔中心直径 Q		135	
腰孔长度 H		45	

技术要求

- 1、图中未注明长度按照公差等级GB/T1804-2000c级，孔位偏差为 $\pm 1\text{mm}$ ，孔径偏差为 $\pm 0.5\text{mm}$ ；
- 2、螺旋片无明显变形。焊接虚焊，漏焊去除焊渣与毛刺；
- 3、表面热镀锌，镀锌层平均厚度大于80微米，铝粉表面光亮；
- 4、钢管、法兰盘材料为Q235B

未注尺寸公差

尺寸	公差	尺寸	公差	尺寸	公差
0.5~3	± 0.10	30~120	± 0.30	1000~2000	± 1.20
3~6	± 0.10	120~400	± 0.50	2000~4000	± 2.00
6~30	± 0.20	400~1000	± 0.80		

标记	更改处	修改人	文件号	日期

设计		上海晨科太阳能科技有限公司	
制图			
审核		图纸名称: 钻地螺栓-可调管 竖孔	
工艺		图号: CK-HT-005	
批准		视角:	比例: 1:1 共 张 第 张

A

B

C

D

版本: A