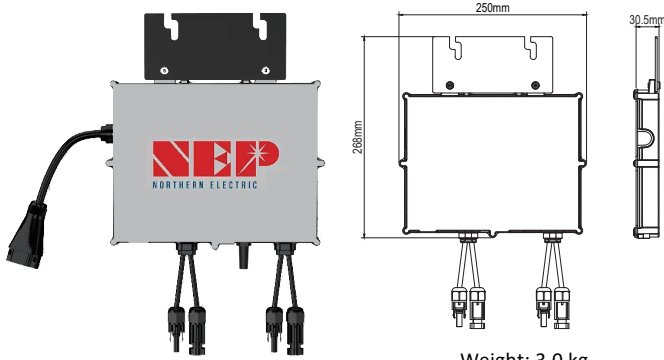


BDM-550/650/800/1000 MICROINVERTER

CEC Listing as Utility Interactive Grid Support Inverter

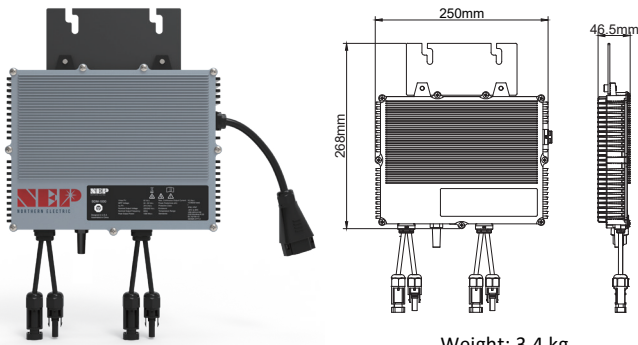
((NC0166, NC0167;NC0136;NC0170)

BDM-550/650/800



Weight: 3.0 kg

BDM-1000



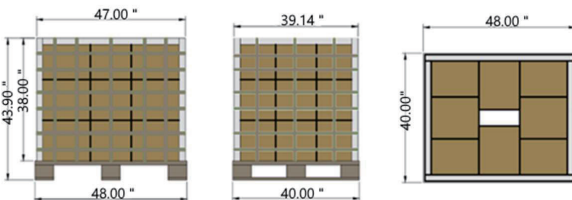
Weight: 3.4 kg

Product Safety Compliance

UL 1741-SA, UL 1741-SB, CSA C22.2, NO 107.1, IEC/EN 62109-1, IEC/EN 62109-2

Grid Code Compliance (Refer to the label for detailed information)

IEEE 1547, VDE-AR-N 4105*, VDE V 0126-1-1/A1, G83/2, CEI 21, AS 4777.2, AS 4777.3, EN50438, ABNT NBR 16149/16150



Packing Information	BDM-550/650/800	BDM-1000
Per box	6 pcs	5 pcs
Boxes per layer	7	7
Layers	3	3
Pallet Qty	126 pcs	105 pcs
Pallet weight	383 kg	362 kg

SPECIFICATIONS

Model	BDM-550	BDM-650	BDM-800	BDM-1000
Input (DC)				
Recommended Max PV Power:	420 W x 2	480 W x 2	600 W x 2	750 W x 2
Max DC Open Circuit Voltage:	60 Vdc	60 Vdc	60 Vdc	60 Vdc
Max DC Input Current:	20 A x 2	20 A x 2	20 A x 2	20 A x 2
MPPT Tracking Accuracy:	> 99.5%	> 99.5%	> 99.5%	> 99.5%
MPPT Tracking Range:	22 – 55 Vdc	22 – 55 Vdc	22 – 55 Vdc	22 – 55 Vdc
ISC PV (Absolute Maximum):	20 A x 2	20 A x 2	20 A x 2	18 A
Maximum Backfeed Current to Array:	0 A	0 A	0 A	0 A
Output (AC)				
Peak AC Output Power:	550 W	650 W	800 W	1000 W
Max Continuous Output Power(1φ):	548 W	640 W	768 W	960 W
Max Continuous Output Power(3φ):	548 W	640 W	700 W	832 W
Nominal Power Grid Voltage:	1φ: 240 Vac (adjustable) 3φ: 208 Vac (adjustable)			
Allowable Power Grid Voltage:	1φ: 211-264 Vac 3φ: 183-228 Vac			
Rated Output Current:	1φ: 2.3 A	1φ: 2.7 A	1φ: 3.2 A	1φ: 4.0 A
	3φ: 2.3 A	3φ: 2.7 A	3φ: 3.4 A	3φ: 4.0 A
Maximum Units Per Branch (20A): <i>(All NEC adjustment factors considered)</i>	1φ: 6 units	1φ: 6 units	1φ: 5 units	1φ: 4 units
	3φ: 6 units	3φ: 6 units	3φ: 4 units	3φ: 4 units
Allowable Power Grid Frequency:	59.3 - 60.5 Hz (adjustable)			
THD:	< 5% (at rated power)			
Power Factor:	-0.9-0.9			
Current (inrush) (Peak and Duration):	9.4 A, 15 US			
Nominal Frequency:	60 Hz			
Max Output Fault Current:	2.4 Arms for 3 cycles			
Max Output Overcurrent Protection:	10 A			
System Efficiency				
Weighted Average Efficiency (CEC):	95.5%			
Nighttime Tare Loss:	0.2 W			
Protection Function				
Over/Under Voltage Protection:	Yes			
Over/Under Frequency Protection:	Yes			
Anti-Islanding Protection:	Yes			
Over Current Protection:	Yes			
Reverse DC Polarity Protection:	Yes			
Overload Protection:	Yes			
Protection Degree:	NEMA-6 / IP-66 / IP-67			
Ambient Temperature:	-40°F to +149°F (-40°C to +65°C)			
Operating Temperature:	-40°F to +185°F (-40°C to +85°C)			
Display:	LED Light			
Communications:	Power line Communications / WiFi			
Environment Category:	Indoor and outdoor			
Wet Location:	Suitable			
Pollution Degree:	PD 3			
Over Voltage Category:	II(PV), III (AC MAINS)			

All NEC required adjustment factors have been considered for AC outputs. AC current outputs will not exceed stated values for Rated output AC Current.

COMPLIANCE

- NEC 2023 Section 690.11 DC Arc-Fault Circuit Protection
- NEC 2023 Section 690.12 Rapid Shutdown of PV Systems on Buildings
- NEC 2023 Section 690.33 Mating Connectors
- NEC 2023 Section 705.12 Point of Connection (AC Arc-Fault Protection)