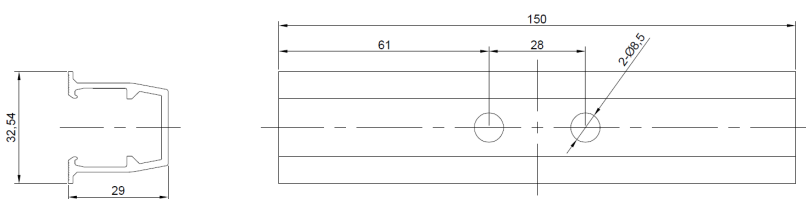


ITEM NO.	DESCRIPTION
1	RAPID RAIL
2	SELF TAPPING SCREW
3	WASHER, EPDM BACKED
4	FLASHING
5	ASSY, BOLT
6	BASE, EPDM ATTACHED

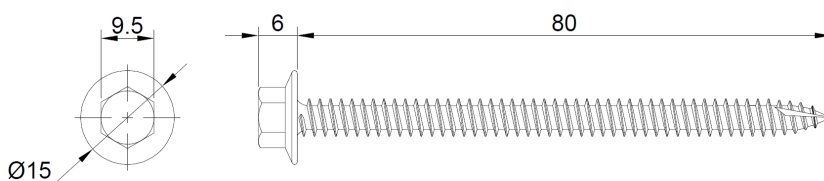
### 1) Rapid rail



Property	Value
Material	Aluminum
Finish	Anodization, AA10

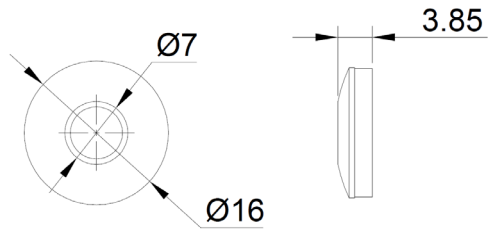
Pullout force	2080N
Compression load	1440N
Shear force	1960N

### 2) Self tapping screw



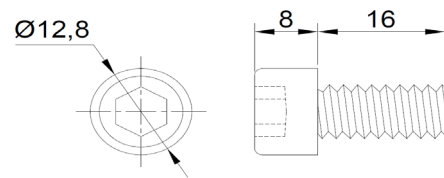
Property	Value
Material	Steel
Finish	Darcomet

### 3) Washer, EPDM backed



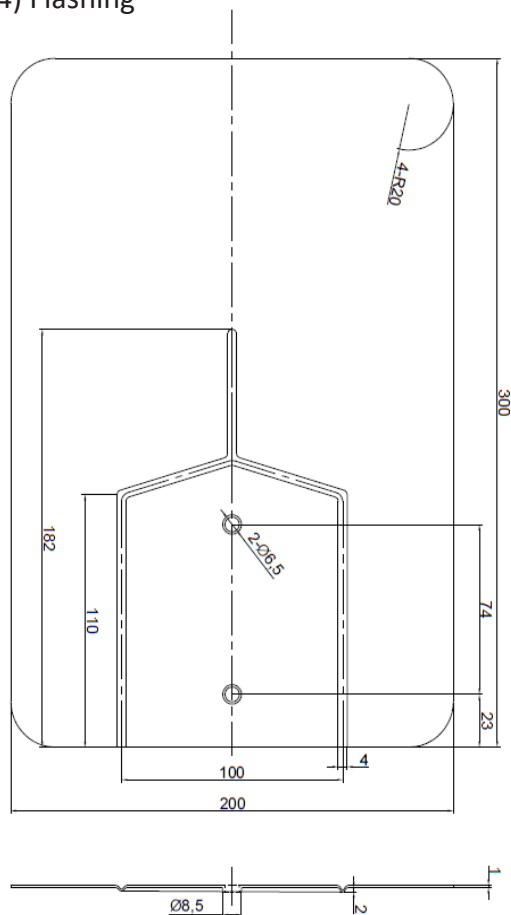
Property	Value
Material	Stainless steel
Finish	Clear

### 5) Assy. bolt



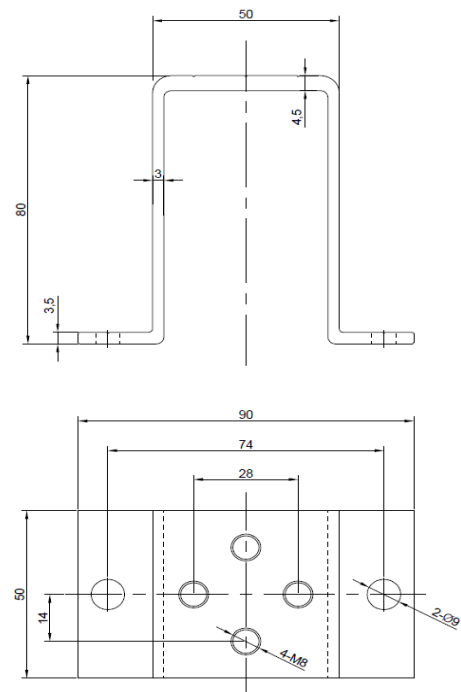
Property	Value
Material	SUS304
Finish	Mill

### 4) Flashing



Property	Value
Material	Aluminum
Finish	Mill

### 6) Base



Property	Value
Material	Aluminum
Finish	Anodization, AA10

Pullout force	1360N
Compression load	1370N
Shear force	1360N