
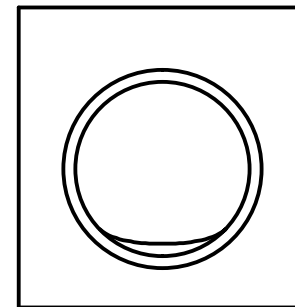
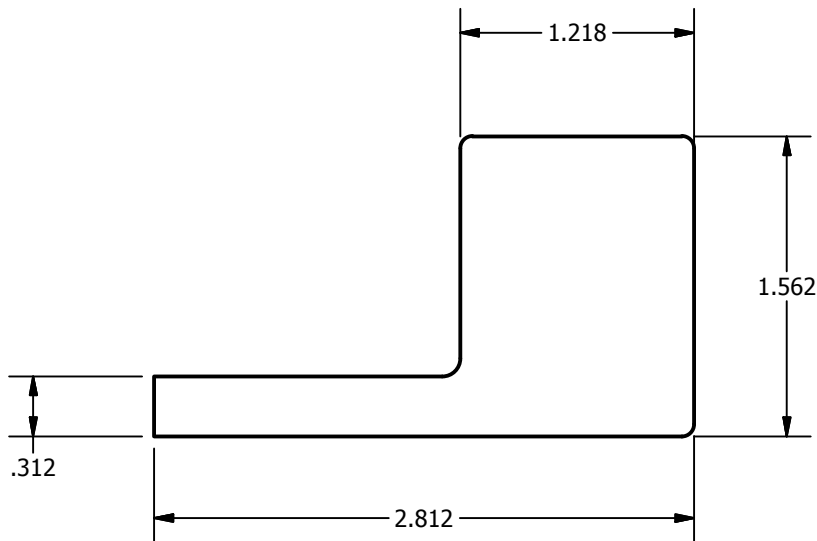
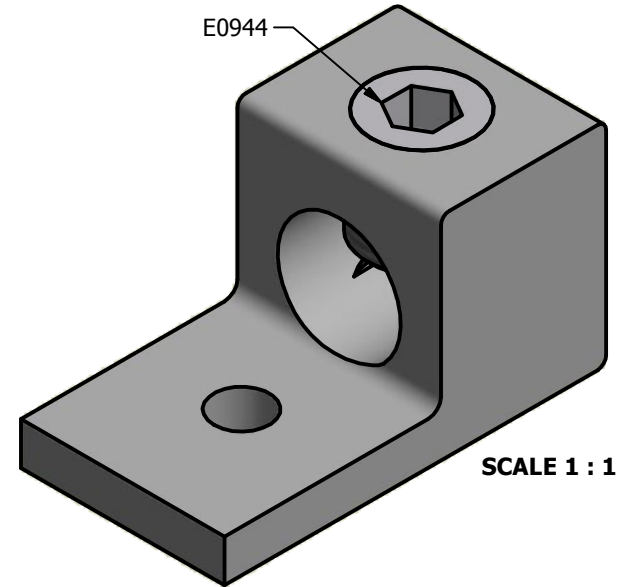
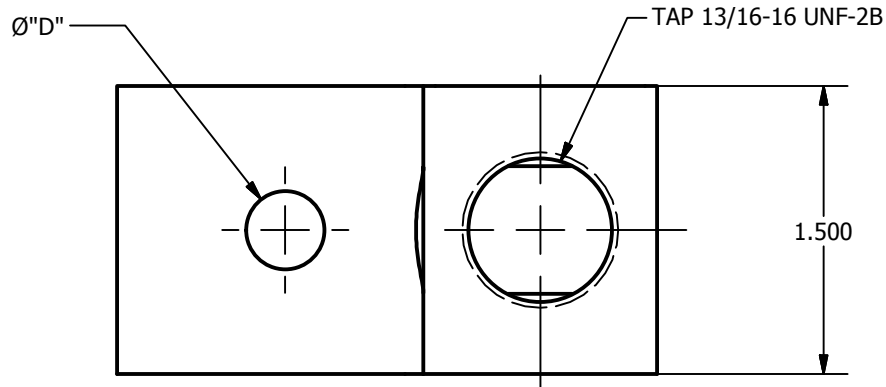





SCREW: E0944	MATERIAL: ALUMINUM	REV: AE		
CAT. NO.: TA-500	PLATING: EL-TIN	DRAWN BY: NN	SCALE: 1:1	800-776-9775 www.ilsco.com
INFORMATION SHEET: FORM 1	MARKING: SEE CHART	DATE: 12/11/2007	SIZE: A	DWG. NO. <b>D0982</b>
				SHEET: 1 OF 1



DEV.	"G" DIM. TOL.	"D" DIM. TOL.	MARKING
-22	.875	.406	ILSCO, D982, TA-500, 500kcmil-4, AL9CU 
-24	.875	.406	ILSCO, D982, TA-500, 500kcmil-4, CHD Z-20, AL9CU 
-25	.640	.516	ILSCO, D982, TA-500, 500kcmil-4, AL9CU 
-43	.875	.531	ILSCO, D982, TA-500, 500kcmil-4, AL9CU 