



# DNA™ 120-Monofacial

Solar for Innovators

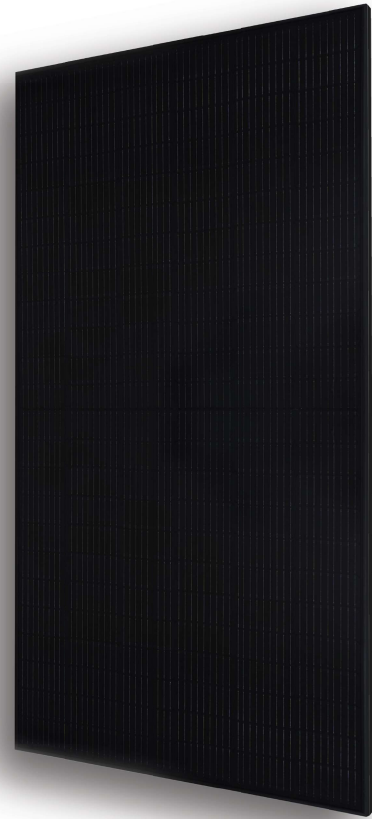
## Industry Leading 30 Years Product and Performance Warranty

### DNA-120-MF10-440W

Residential | Commercial

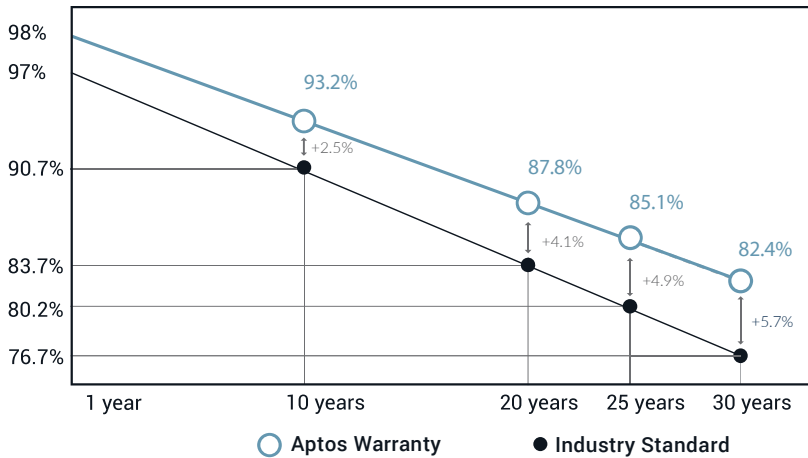
Our DNA Split Cell Series uses advanced selective emitter PERC technology with thin film layers to improve heat tolerance, maximize energy harvest, minimize resistive loss, and use 5% more of the available active area for optimal power performance.

440W | 445W | 450W



Designed & Engineered In Silicon Valley

### Linear Performance Warranty



### Key Features



#### Advanced Technology

Patented DNA™ technology boosts power performance & module efficiency.



#### Miami-Dade Approved

Maximum Durability: LEVEL 6 SALT MIST Tested, 5400 Pa Wind Load Certified Panels



#### Awards

Winners of the Leadership in Solar Energy award for three consecutive years and listed as one of the Top Solar Products from 2021-2022.



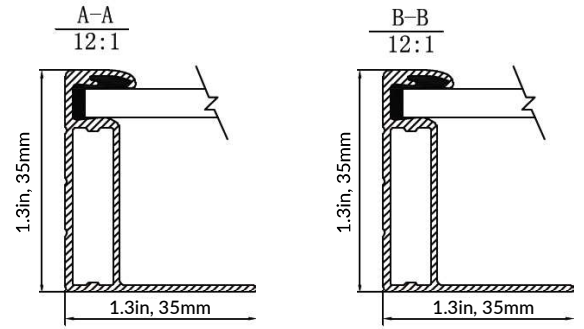
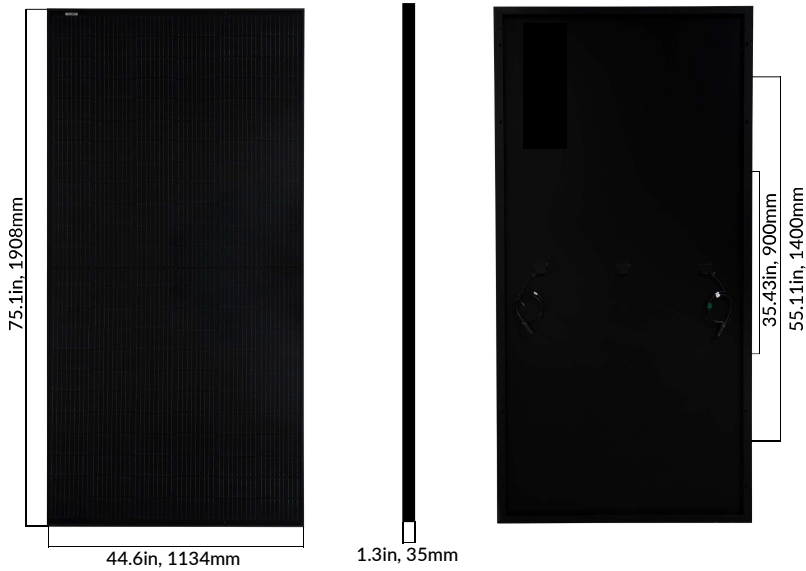
#### Bankable Investment

Comprehensive warranty that covers both **30-year product** and **30-year power** performance.



#### Aesthetics

All black design with advanced split cell technology features 10 ultra-thin busbars that allow for less resistance and greater energy harvest.



Electrical Specifications	DNA-120-MF10-440W		DNA-120-MF10-445W		DNA-120-MF10-450W	
	STC	NOCT	STC	NOCT	STC	NOCT
Output P <sub>mpp</sub> (W)	440W	324W	445W	327W	450W	332W
Open Circuit Voltage V <sub>voc</sub> (V)	41.02	38.37	41.10	38.45	41.18	38.53
Short Circuit Current I <sub>sc</sub> (A)	13.73	10.92	13.79	10.98	13.85	11.04
Rated Voltage V <sub>mpp</sub> (V)	35.87	31.24	35.97	31.34	36.07	31.44
Rated Current I <sub>max</sub> (A)	12.26	10.35	12.37	10.46	12.47	10.57
Module Efficiency	20.34%		20.57%		20.80%	

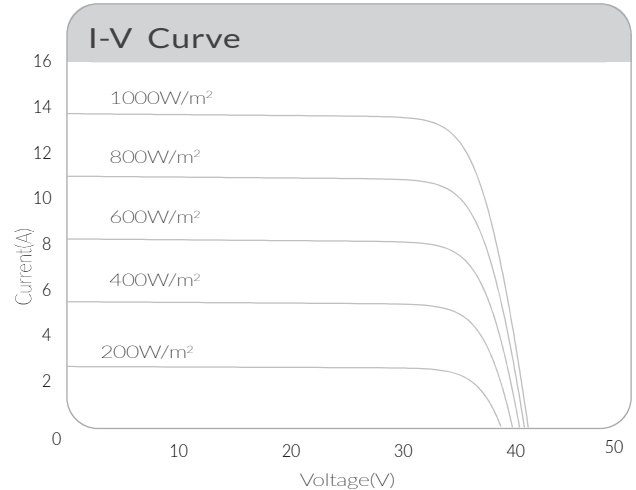
STC for front-face of panel: 1000 W/m<sup>2</sup>, 25°C, measurement uncertainty ±3%  
NOCT for front-face of panel: 800W/m<sup>2</sup>, 45°C, Wind speed 1 m/s

Mechanical Properties	
Cell Type	SE-PERC
Glass	3.2mm, anti-reflection coating, high transmission, low iron, tempered glass
Frame	Anodized Aluminum Alloy
Junction Box	IP68
Dimensions	75.1 X 44.6 X 1.3 in, 1908 X 1134 X 35 mm
Weight	52.9lbs.(24.2kg)
Output Cable	4mm <sup>2</sup> (EU)12AWG,39.37in.(1200mm)
Cable Length	47.2 in
Encapsulant	POE
Connector Type	Staubli EVO2

Temperature Coefficients	
Temperature Coefficients P <sub>mpp</sub>	-0.35%/°C
Temperature Coefficients I <sub>sc</sub>	+0.054%/°C
Temperature Coefficients V <sub>oc</sub>	-0.27%/°C
Nominal Operating Cell Temperature (NOCT)	45±2°C

Test Operating Conditions	
Maximum Series Fuse	25A
Maximum System Voltage	1,500 VDC (UL&IEC)
Maximum Load Capacity (Per UL 1703)	5400 PA Snow Load / 5400 Pa Wind Load
Fire Performance Type	Type 1

Packaging Configuration	
Number of Modules per Pallet	31
Number of Pallets per 40ft. Container	24
Pallet Dimensions	76.29 X 44.48 X 49.76 in, 1938 X 1130 X 1264 mm
Pallet Weight (lbs)	1640
Module per 40ft Container	744



Certifications			
	Intertek UL61730-1, UL61730-2	IEC61730-1 IEC61730-2	