



540W | 545W | 550W

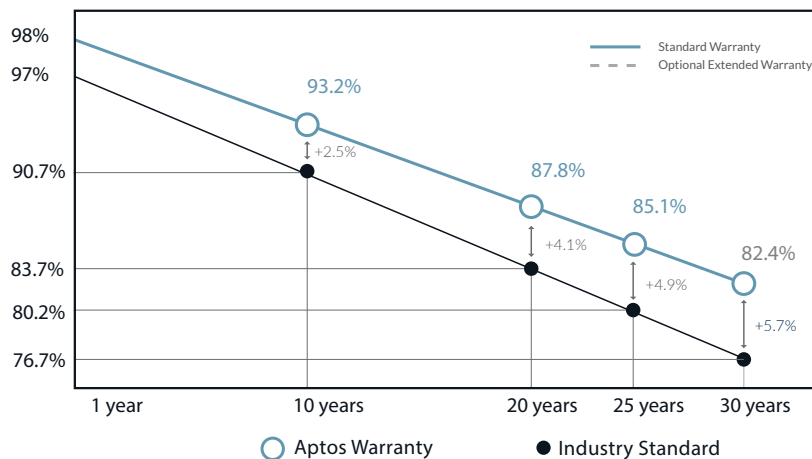
DNA-144-BF10-550W-DG Residential | Commercial

Our DNA Split Cell Series uses advanced selective emitter PERC technology with thin film layers to improve heat tolerance, maximize energy harvest, minimize resistive loss, and use 5% more of the available active area for optimal power performance.



Designed & Engineered In
Silicon Valley

Linear Performance Warranty



Key Features



Advanced Technology

Patented DNA™ technology boosts power performance & module efficiency.



Aesthetics

All black design with advanced split cell technology features 10 ultra-thin busbars that allow for less resistance and greater energy harvest.



Durable Design

Robust product design is resilient in extreme weather. Up to 5400 Pa snow load and 4000 Pa wind load



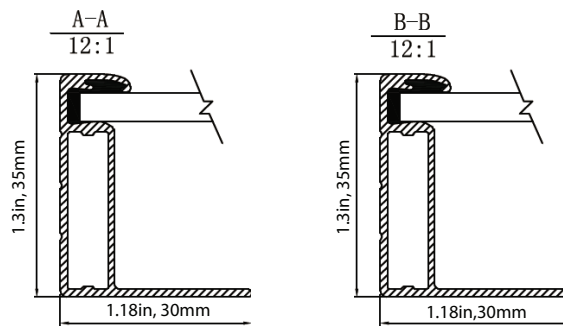
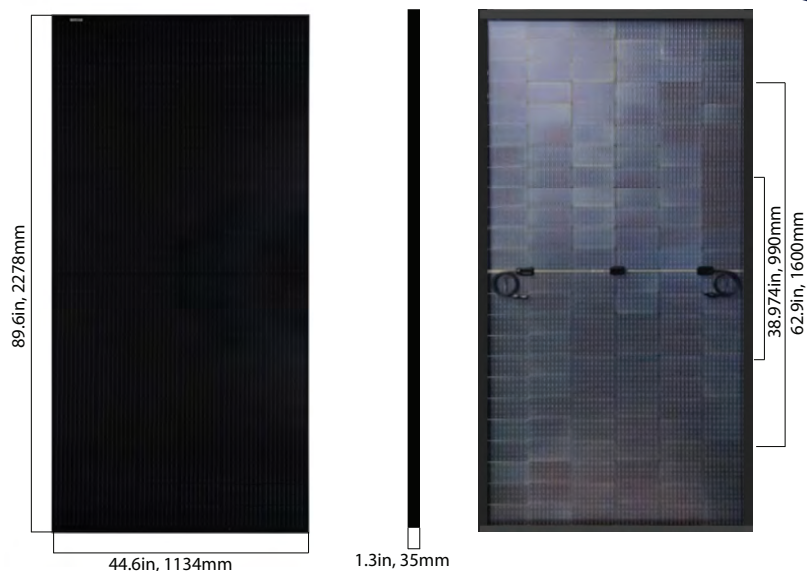
Awards

Winners of the Leadership in Solar Energy award for three consecutive years and listed as one of the Top Solar Products from 2021-2022.



Bankable Investment

Comprehensive warranty that covers both **30-year product** and **30-year power** performance.



Electrical Specifications

DNA-144-BF10-540W-DG DNA-144-BF10-545W-DG DNA-144-BF10-550W-DG

| | | | |
|------------------------------------|--------|--------|--------|
| STC Rated Output P_{mpp} (W) | 540W | 545W | 550W |
| Module Efficiency | 20.90% | 21.09% | 21.29% |
| Open Circuit Voltage V_{VOC} (V) | 49.50 | 49.65 | 49.80 |
| Short Circuit Current I_{sc} (A) | 13.85 | 13.92 | 13.99 |
| Rated Voltage V_{mp} (V) | 41.65 | 41.80 | 41.95 |
| Rated Voltage I_{mp} (A) | 12.97 | 13.04 | 13.11 |

Standard Test Conditions for front-face of panel: 1000 W/m², 25°C, measurement uncertainty ≤3%

Mechanical Properties

| | |
|----------------|-------------------------------------------------------------------|
| Cell Type | Monocrystalline |
| Glass | AR Coating, High Transmission, Low Iron, Semi-Tempered Dual Glass |
| Frame | Anodized Aluminum Alloy |
| Junction Box | IP68 |
| Dimensions | 89.68 X 44.6 X 1.3 in, 2278 X 1134 X 35 mm |
| Weight | 71.20 lbs |
| Output Cable | 4mm ² (EU)12AWG,(1200mm) |
| Cable Length | 47.2in, 1200mm |
| Connector Type | Staubli EVO2 |

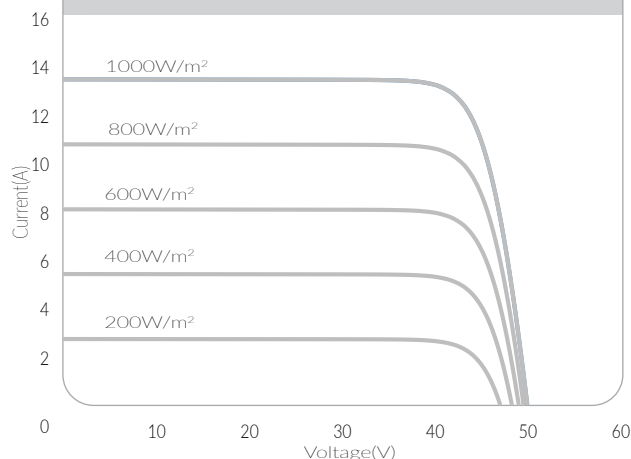
Bifacial Output-Rearside Power Gain

| | | | |
|------------------------------|--------|--------|--------|
| 5%-Maximum Power (Pmax) | 567W | 572W | 578W |
| 5%-Module Efficiency STC(%) | 21.94% | 22.14% | 22.35% |
| 15%-Maximum Power (Pmax) | 621W | 627W | 633W |
| 15%-Module Efficiency STC(%) | 24.03% | 24.27% | 24.50% |
| 25%-Maximum Power (Pmax) | 675W | 682W | 688W |
| 25%-Module Efficiency STC(%) | 26.12% | 26.40% | 26.63% |

Test Operating Conditions

| | |
|-------------------------------------|---------------------------------------|
| Maximum Series Fuse | 30A |
| Maximum System Voltage | 1,500 VDC (UL&IEC) |
| Maximum Load Capacity (Per UL 1703) | 5400 PA Snow Load / 4000 Pa Wind Load |
| Fire Performance Class | Class C/Type 29 |

I-V Curve



Temperature Coefficients

| | |
|------------------------------------------|------------|
| Temperature Coefficients P_{mpp} | -0.390%/°C |
| Temperature Coefficients I_{sc} | +0.06%/°C |
| Temperature Coefficients V_{oc} | -0.300%/°C |
| Normal Operating Cell Temperature (NOCT) | 45°C±2°C |

Packaging Configuration

| | |
|-----------------------------|--------------------------|
| Modules per Pallet | 31 |
| Pallets per 40ft. Container | 20 |
| Pallet Dimensions | 91.06 X 44.48 X 49.76 in |
| Pallet Weight (lbs) | 2208 |
| Modules per 40ft. Container | 620 |

Certifications



C22.2 No.61730-1:19
C22.2 No.61730-2:19

IEC61730-1
IEC61730-2