

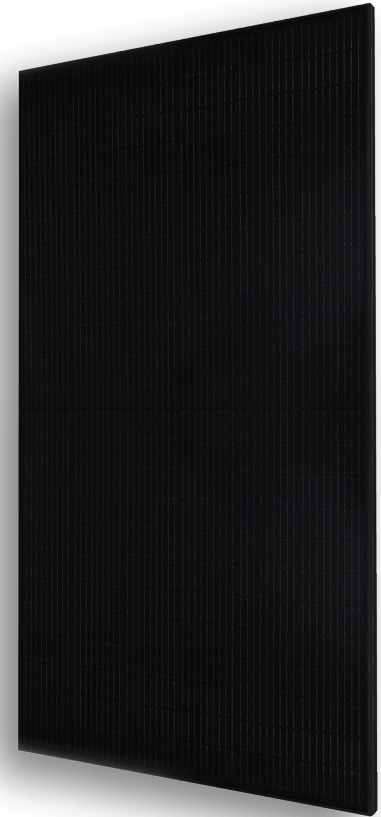


440W | 445W | 450W

## DNA-120-BF10-440W

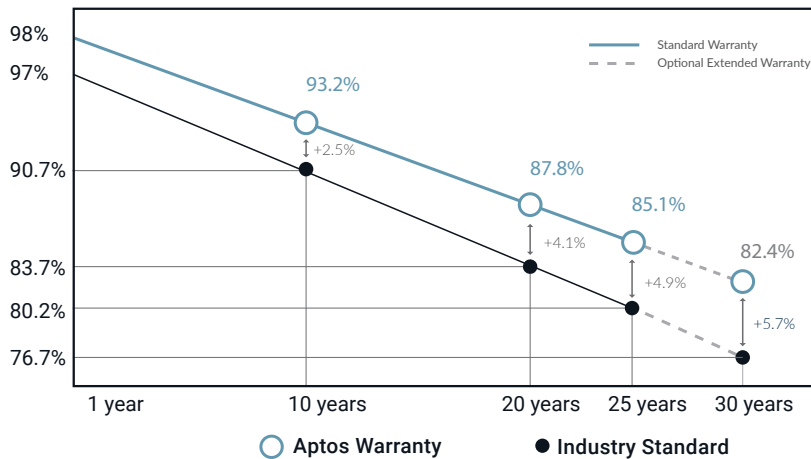
Residential | Commercial

Our DNA Split Cell Series uses advanced selective emitter PERC technology with thin film layers to improve heat tolerance, maximize energy harvest, minimize resistive loss, and use 5% more of the available active area for optimal power performance.



Designed & Engineered In Silicon Valley

### Linear Performance Warranty



## Key Features



### Advanced Technology

Patented DNA™ technology boosts power performance & module efficiency.



### Aesthetics

All black design with advanced split cell technology features 10 ultra-thin busbars that allow for less resistance and greater energy harvest.



### Miami-Dade Approved

Miami-Dade County wind load certified to withstand up to 5400 Pa.



### IEC Standards

Our solar panels perform 3X the baseline standard set by the International Electrotechnical Commission (IEC).



### Bankable Investment

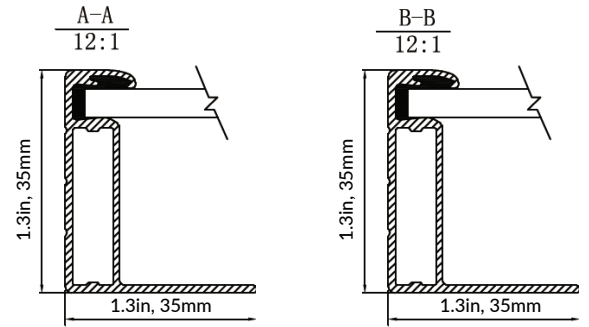
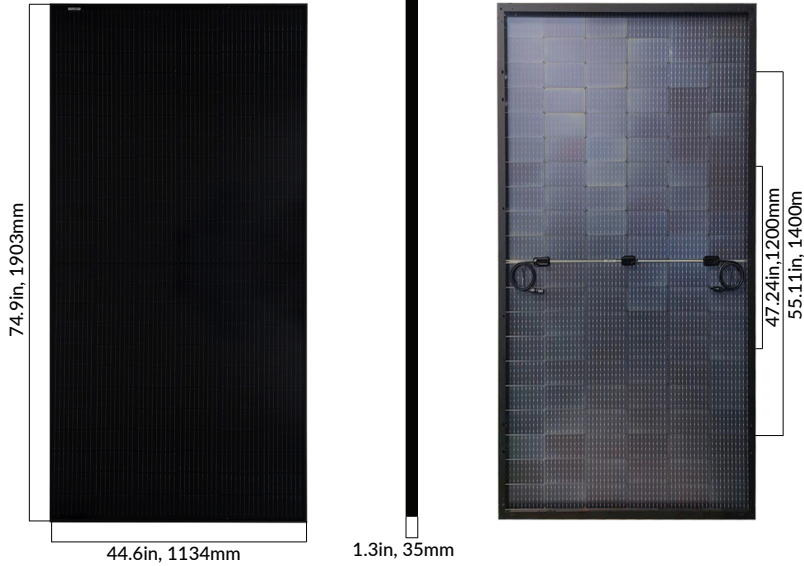
Comprehensive warranty that covers both **30-year product** and **30-year power** performance.



### Awards

Winners of the Leadership in Solar Energy award for three consecutive years and listed as one of the Top Solar Products from 2021-2022.

# DNA™ 120 Bifacial



## Electrical Specifications

	DNA-120-BF10-440W	DNA-120-BF10-445W	DNA-120-BF10-450W
STC Rated Output $P_{mpp}$ (W)	440W	445W	450W
Module Efficiency	20.32%	20.55%	20.78%
Open Circuit Voltage $V_{VOC}$ (V)	41.51	41.73	41.96
Short Circuit Current $I_{SC}$ (A)	12.88	12.94	13.00
Rated Voltage $V_{mp}$ (V)	34.71	34.93	35.16
Rated Voltage $I_{mp}$ (A)	12.68	12.74	12.80

Standard Test Conditions for front-face of panel: 1000 W/m<sup>2</sup>, 25°C, measurement uncertainty  $\leq 3\%$

## Mechanical Properties

Cell Type	Monocrystalline
Glass	3.2mm, anti-reflection coating, high transmission, low iron, tempered glass
Frame	Anodized Aluminum Alloy
Junction Box	IP68
Dimensions	74.9 X 44.6 X 1.3 in, 1903 X 1134 X 35 mm
Weight	50.2 lbs
Output Cable	4mm2 (EU)12AWG,39.37in,(1200mm)
Cable Length	47.2in, 1200mm
Connector Type	Staubli EVO2

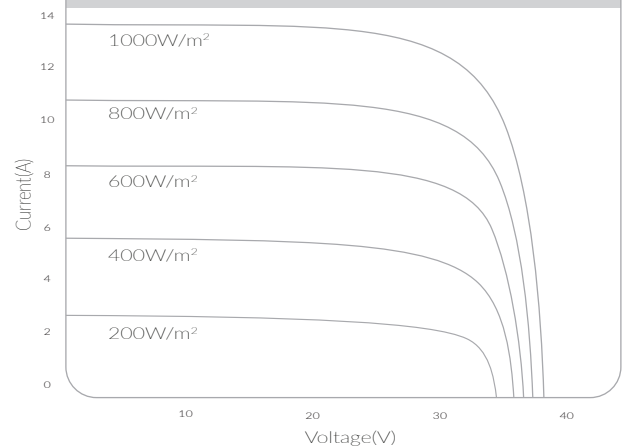
## Bifacial Output-Rearside Power Gain

5%-Maximum Power (Pmax)	462W	467W	473W
5%-Module Efficiency STC(%)	21.34%	21.58%	21.82%
15%-Maximum Power (Pmax)	506W	512W	518W
15%-Module Efficiency STC(%)	23.37%	23.63%	23.90%
25%-Maximum Power (Pmax)	550W	556W	563W
25%-Module Efficiency STC(%)	25.40%	25.69%	25.98%

## Test Operating Conditions

Maximum Series Fuse	30A
Maximum System Voltage	1,500 VDC (UL&IEC)
Maximum Load Capacity (Per UL 1703)	5400 PA Snow Load / 5400 Pa Wind Load
Fire Performance Class	Class C/Type 1

## I-V Curve



## Temperature Coefficients

Temperature Coefficients $P_{mpp}$	-0.39%/°C
Temperature Coefficients $I_{sc}$	+0.06%/°C
Temperature Coefficients $V_{oc}$	-0.30%/°C
Normal Operating Cell Temperature (NOCT)	45°C±2°C

## Packaging Configuration

Modules per Pallet	31
Pallets per 40ft. Container	24
Pallet Dimensions	1938 X 1130 X 1264 mm
Pallet Weight (lbs)	1556.2
Modules per 40ft. Container	744

## Certifications



2081 Business Center Drive, Ste 100  
Irvine, CA 92612  
www.aptosolar.com | sales@aptossolar.com

Aptos Solar Technology reserves the right to make specification changes without notice.